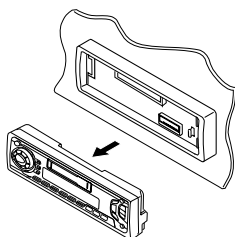
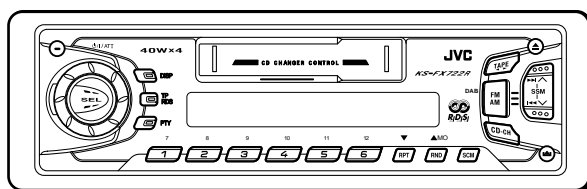


JVC

SERVICE MANUAL

CASSETTE RECEIVER

KS-FX722R



Area Suffix

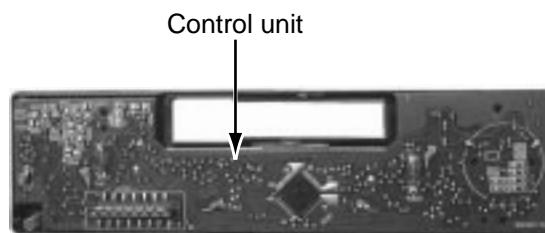
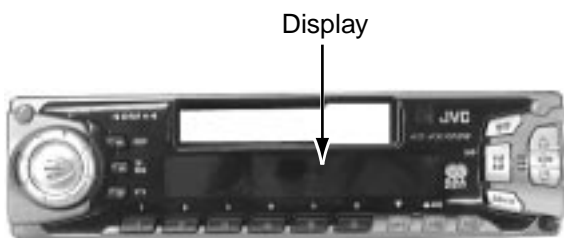
E ---- Continental Europe

Contents

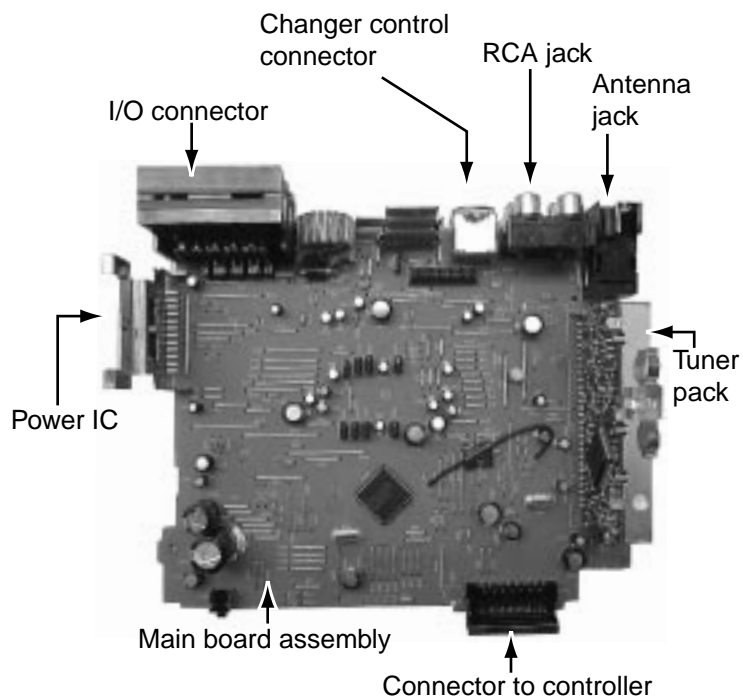
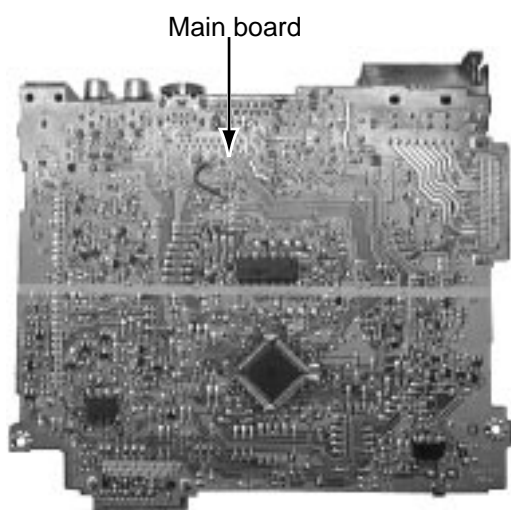
Safety precaution	1-2	Adjustment method	1-10
Location of main parts	1-3	Wiring connections	1-14
Disassembly method	1-4	Description of major ICs	1-15

Location of main parts

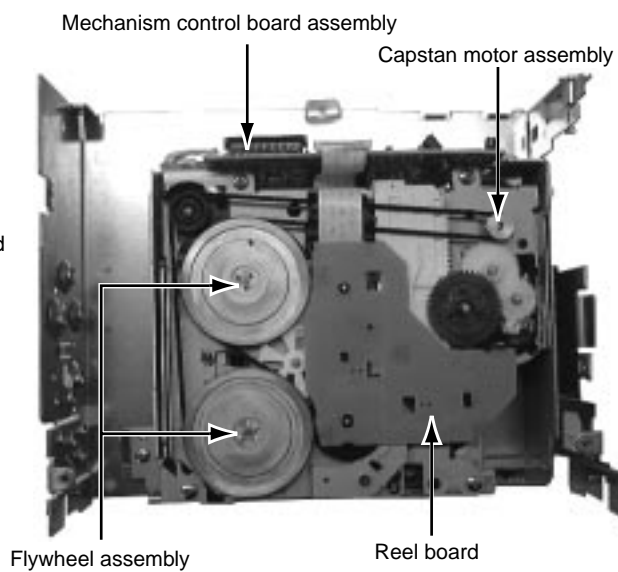
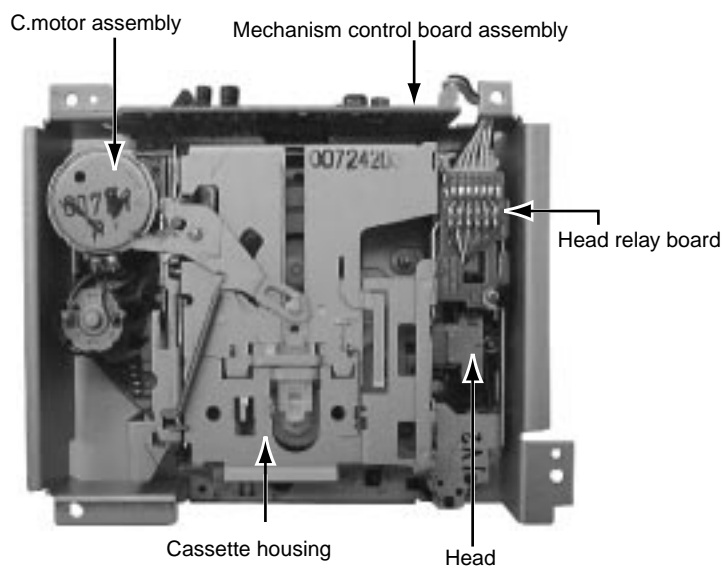
Control unit



Main unit



Cassette mechanism



Disassembly method

Removal of main parts

■ Enclosure section

(1) Detaching the front panel unit (see Fig.2-1)

Slide the Release slide knob in the direction of arrow to detach the front panel unit.

(2) Removing the front chassis(see Fig.2-2)

Disengage the four tabs in the right and left sides of unit and pull the front chassis forward to remove it.

(3) Removing the bottom cover(see Fig.2-3.2-4)

- 1.Remove one screw 2 retaining the IC to the heat sink.
- 2.Remove two screws 1 to remove the heat sink.
- 3.Turn the upside down, then insert and turn the screwdriver to remove the bottom cover and protect sheet.

(4) Removing the main P.C.B.assembly (with rear panel) (see Fig.2-5)

- 1.Remove two screws 4 retaining the rear panel to the chassis.
- 2.Remove two screws 3 retaining the amp. P.C.B. assembly.
- 3.Lift up the main P.C.B. assembly to remove it. At this time, remove the connector CP501 connecting the main P.C.B assembly and mechanism assembly.

(5)Removing the rear panel(see Fig.2-5)

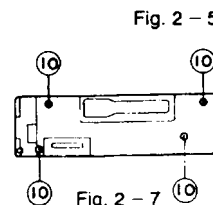
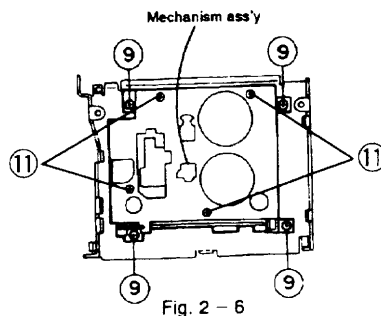
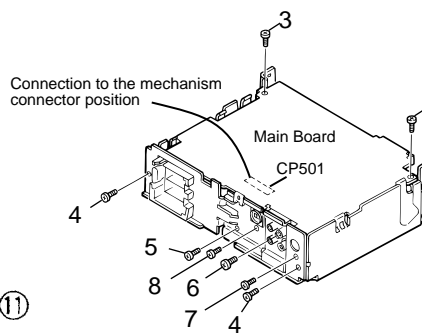
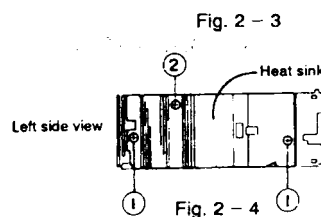
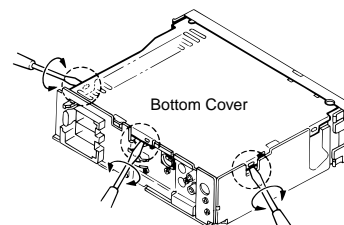
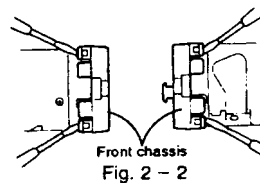
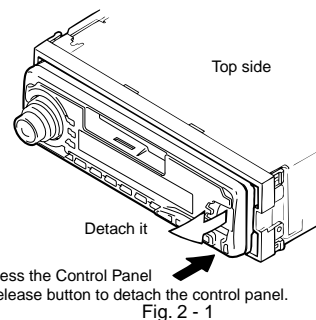
- Remove six screws retaining the jacks or the like.
Remove one screw 5 to the IC bracket.
Remove one screw 6 to remove the line-out jack.
Remove one screw 7 to remove the antenna jack.
Remove one screw 8 to remove the changer controller jack. (except KS-F530R)

(6)Mechanism assembly(see Fig.2-6)

- 1.Remove four mechanism mouting screws 9 retaining the mechanism assembly.
- 2.Remove four screws B retaining the cover.
- 3.Remove one screw which is the fixation of TOP COVER and the substrate.

(7)Front panel unit(see Fig.7)

Remove four screws A retaining the rear cover.



Adjustment method

■ Test instruments required for adjustment

1. Digital oscilloscope(100MHz)
2. Frequency Counter meter
3. Electric voltmeter
4. Wow & flutter meter
5. Test Tapes
 - MC-109C for TAPA CURL confirmation
(without Padd type)
 - VT724 for DOLBY level measurement
 - VT739 For playback frequency measurement
 - VT712 For wow flutter & tape speed measurement
 - VT703 For head azimuth measurement
6. Torque gauge Cassette type for CTG-N
(mechanism adjustment)

■ Measuring conditions(Amplifier section)

- Power supply voltage DC14.4V (10.5 - 16V)
- Load impedance 4Ω (2Speakers connection)
- Line out 20kΩ

■ Standard volume position

Balance and Bass, Treble volume .Fader
:Center(Indication"0")
Loudness, Dolby NR, Sound, Cruise:Off
Volume position is about 2V at speaker output with
following conditions.Playback the test tape VT721.

- AM mode 999kHz/62dB,INT/400Hz,30%
modulation signal on recieving.
- FM mono mode 97.5MHz/66dB,INT/400Hz,22.5kHz
deviation pilot off mono
- FM stereo mode 1kHz,67.5kHz dev. pilot7.5kHz dev.
- Output level 0dB(1μV,50Ω /open terminal)

■ Information for using a car audio service jig

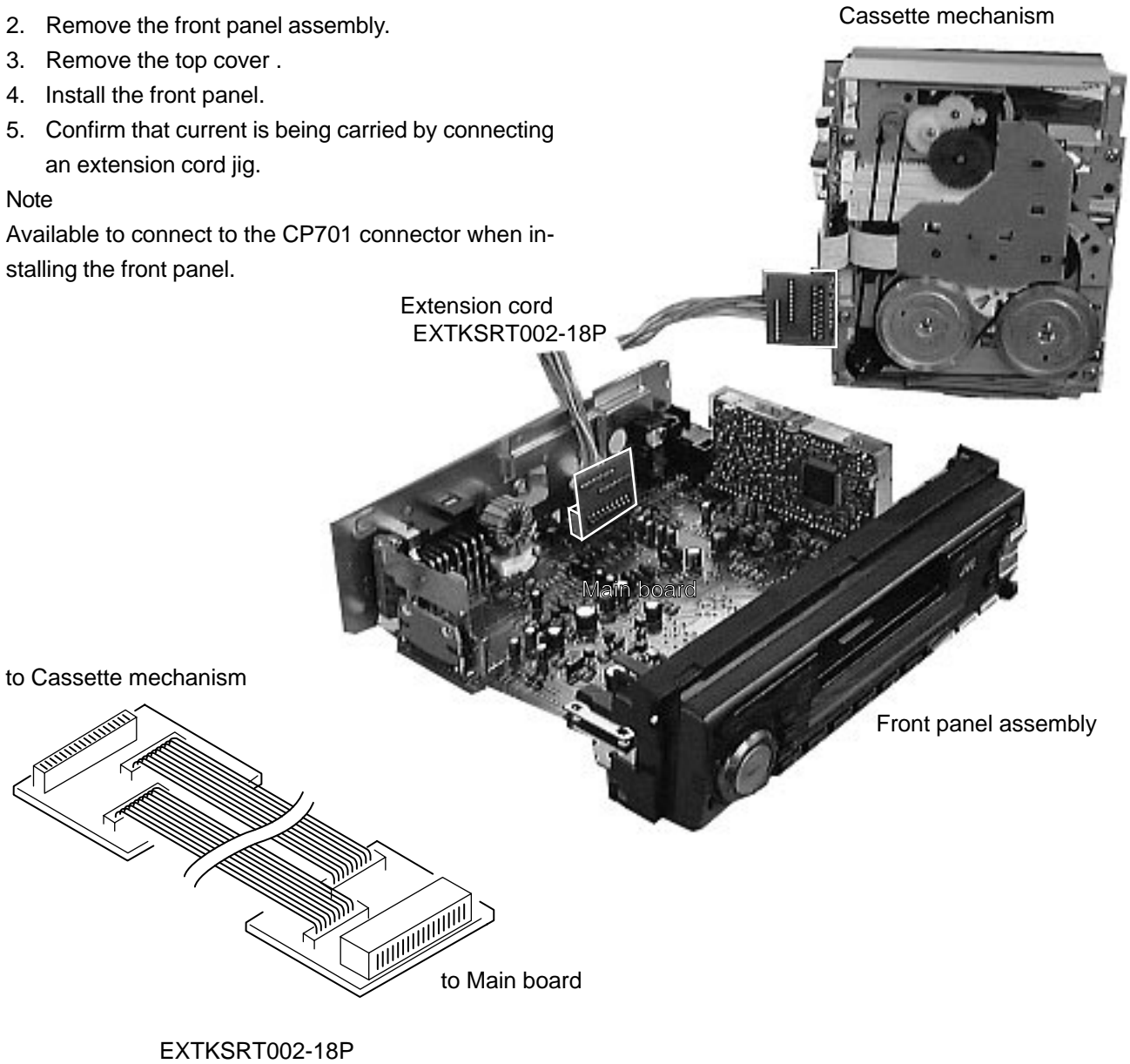
1. We're advancing efforts to make our extension cords common for all car audio products.
Please use this type of extension cord as follows.
2. As a U-shape type top cover is employed, this type of extension cord is needed to check operation of the mechanism assembly after disassembly.
3. Extension cord : EXTKSRT002-18P (18 pin extension cord) For connection between mechanism assembly and main board assembly.
Check for mechanism driving section such as motor ,etc..

■ Disassembly method

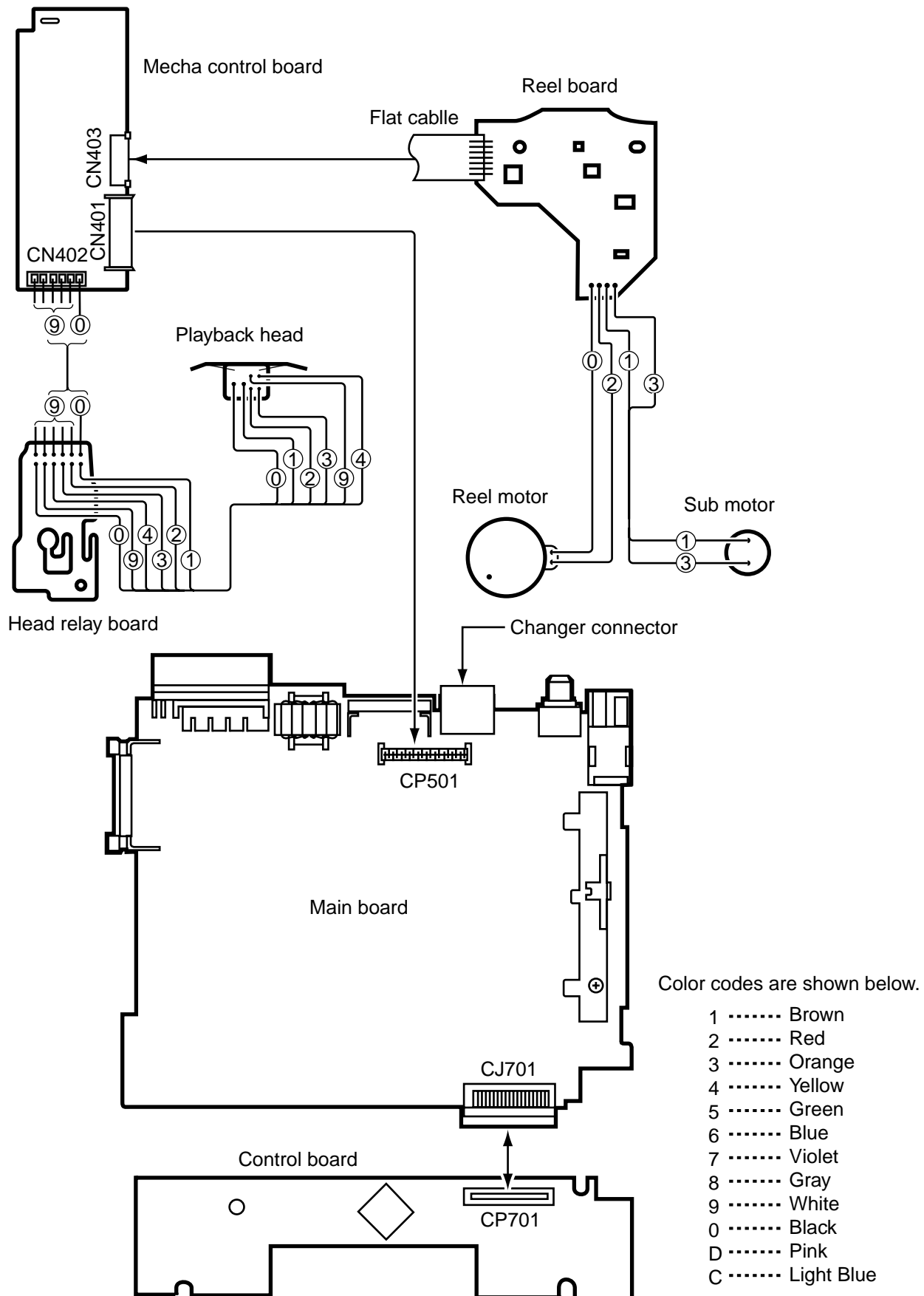
1. Remove the bottom cover.
2. Remove the front panel assembly.
3. Remove the top cover .
4. Install the front panel.
5. Confirm that current is being carried by connecting an extension cord jig.

Note

Available to connect to the CP701 connector when installing the front panel.



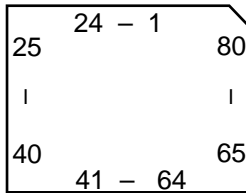
Wiring connections



Description of major ICs

■UPD178018AGC584(IC701) : System controller micon

1.Terminal Layout

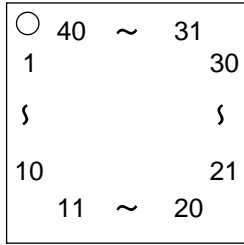


2.Description

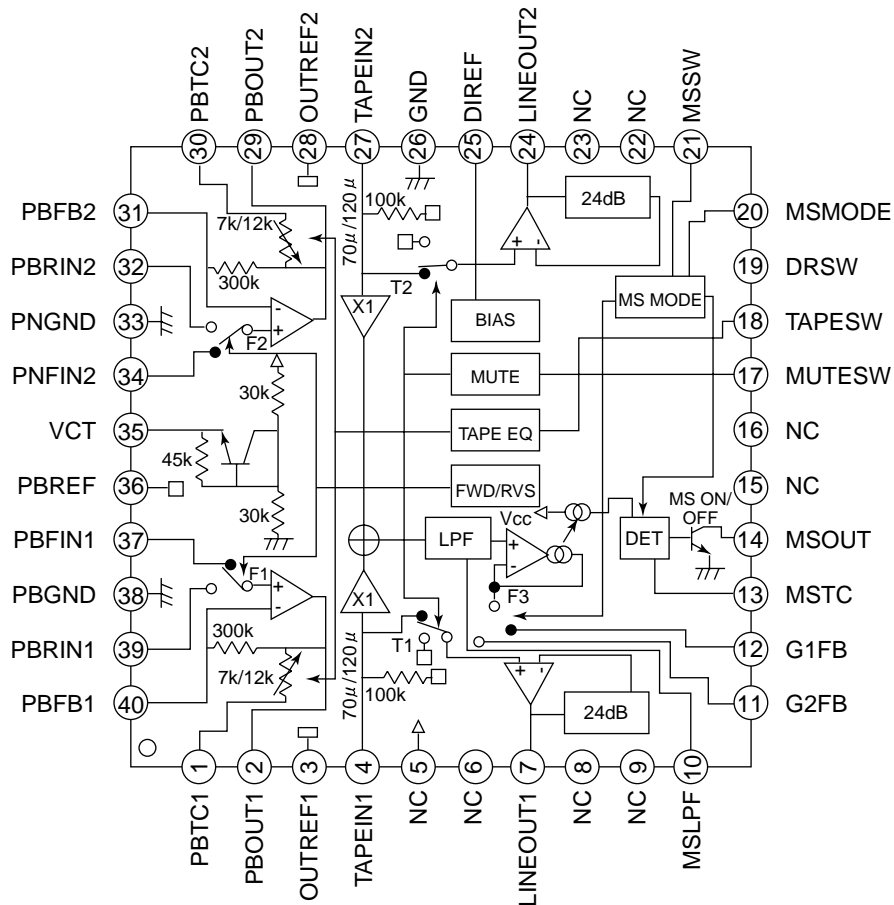
Pin No.	Symbol	I/O	Function	Pin No.	Symbol	I/O	Function
1	KEY0	I	Key input 0	43	DOLBY	O	Dolby NR output H:Dolby NR ON
2	KEY1	I	Key input 1	44	MS IN	I	Between tunes signal input H:Between tunes
3	KEY2	I	Key input 2				
4	LEVEL	I	Level meter input	45	I2CSCK	I/O	E-VOL IC control clock I/O
5	SM	I	Signal meter input	46	I2CDAO	O	E-VOL IC control data output
6	SQ	I	Signal quality input	47	I2CDAI	I	E-VOL IC control data input
7	LCDCE	O	Chip enable output to LCD driver	48	REEL	I	Reel rotation detect signal input
8	LCDDA	O	Data output to LCD driver	49	SUBMO-	O	Sub motor output -
9	LCDSCCK	O	Clock output to LCD driver	50	SUBMO+	O	Sub motor output +
10	BUSI/O	O	J-BUS I/O switch output	51	MODE	I	Mode position detection input H:Non-mode L:Mode position
11	UNLOCK	O	PLL unlock output L:unlock H:lock				
12	BUSSI	I	J-BUS data input	52	TAPEIN	I	Cassette in detect input H:IN L:OUT
13	BUSSO	O	J-BUS data output	53	STBY	I	Standby detect input H:Eject side L:Operation side
14	BUSSCK	O	J-BUS clock output				
15 - 20	NC	-	Non connect	53	T-END	I	Tape end detect input 200ms L:tape end
21	GNDPORT	-	GND for port	54-59	NC	-	Non connect
22	VDDPORT	-	VDD for port	60	MUTE	O	L:Mute ON H:Mute OFF
23	NC	-	Non connect	61	POWER	O	Power supply output H:power ON
24	AFCK	O	AF check output L:AF check	62	TEL-MUTE	I	TEL-MUTE input
25	MONO	O	Monaural ON/OFF output H:Monaural ON	63, 64	NC	-	Non connect
26	FM/AM	O	Output for FM power supply H:FM Mode	65	ENC1	I	Encoder signal input
27	SEEK/STOP	O	Auto seek/Stop output H:Aut seek L:Stop	66	ENC2	I	Encoder signal input
28	NC	I	Non connect	67	ON	I	H:Operation mode L:Power save mode
29	IFC	I	FM middle frequency counter input	68	STOP	I	Stop mode input
30	VDDPLL	-	VDD for PLL	69	RDSCCK	I	RDS clock input
31	OSC	I	FM/AM oscillation input	70	RDSDA	I	RDS data input
32	NC	-	Non connect	71	REMOCON	I	Remocon signal input (Not used)
33	GNDPLL	-	GND for PLL	72	DETACH	I	Detach input It is "L" of 200ms or more and an operation mode H:power save mode
34	EO0	O	Error out output from change pump				
35	EO1	O	Error out output from change pump	73	JBUS INT	I	J-BUS Interruption input
36	IC	-	Connect to Ground	74	REGCPU	-	Connects GND through the capacitor of 0.1 F
37	SD/ST	I	Seek/Stop port H:SD input Seek/Stop port L:Stereo input				
38	STAGE	I	H:It is CD mode and there is REPEAT L:Does not exist	75	GND	-	To ground
				76	X2	-	Crystal oscillator connection for system clock oscillation
39	NC	-	Non connect	77	X1	-	Crystal oscillator connection for system clock oscillation
40	MOTOR	O	Main motor output H:At rotation	78	REGOSC	-	Connects GND through the capacitor of 0.1 F
41	FF/REW	O	MS IC sensitivity switch output L:FF/REW	80	NC	-	Non connect
42	F/R	O	FWD/REV change input H:FWD L:REV				

■ CXA2559Q(IC401):Playback equalizer amplifier with music sensor

1.Pin layout



2.Blockdiagram



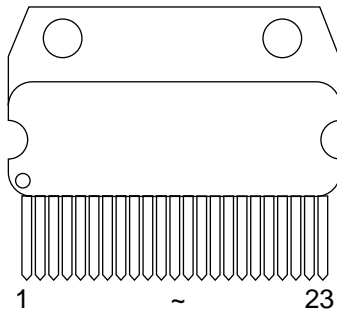
3.Pin function

CXA2559Q 2/2

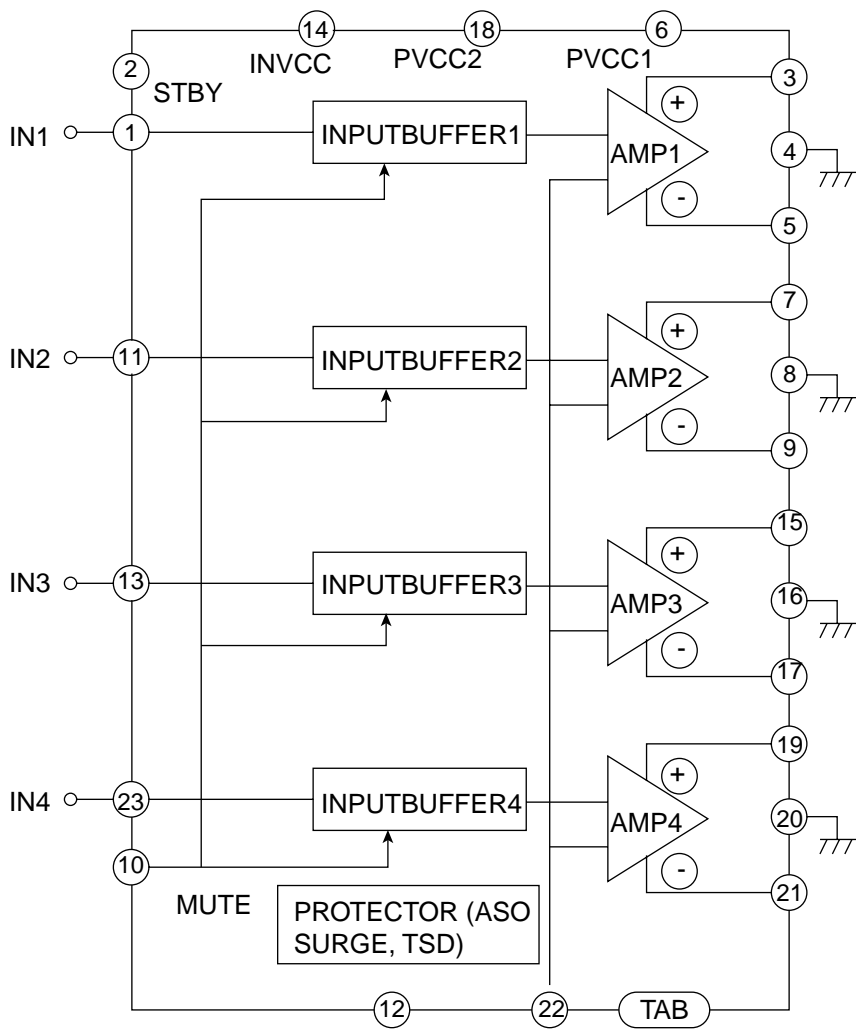
Pin No.	Symbol	I/O	Function
1	PBTC1	-	Terminal of capacity of reproduction equalizer reproduction
2	PBOUT1	O	Equalizer output terminal
3	OUTREF1	O	Output standard terminal
4	TAPEIN1	I	Tape input terminal
5	Vcc	-	Power supply terminal
6	NC	-	Non connection
7	LINEOUT1	O	Line-out output terminal
8	NC	-	Non connection
9	NC	-	Non connection
10	MSLPF	-	Detection LPF terminal between tunes
11	G2FB	-	Detection level set terminal between tunes
12	G1FB	-	Detection level set terminal between tunes
13	MSTC	-	Time constant connection terminal for the detection between tunes
14	MSOUT	O	Detection output terminal between tunes
15	NC	-	Non connection
16	NC	-	Non connection
17	MUTESW	I	Mute function control terminal
18	TAPESW	I	Reproduction equalizer control terminal
19	DRSW	I	Head change control terminal
20	MSMODE	I	Detection mode control terminal between tunes
21	MSSW	I	Detection function control terminal between tunes
22	NC	-	Non connection
23	NC	-	Non connection
24	LINEOUT2	O	Line-out output terminal
25	DIREF	-	Resistance connection terminal for standard current setting
26	GND	-	Earth terminal
27	TAPEIN2	I	Tape input terminal
28	OUTREF2	O	Output standard terminal
29	PBOUT2	O	Reproduction equalizer output terminal
30	PBTC2	-	Terminal of capacity of reproduction equalizer
31	PBFB2	I	Reproduction equalizer return terminal
32	PNRIN2	I	Reproduction equalizer input terminal
33	PBGND	-	Reproduction equalizer system earth terminal
34	PBFIN2	I	Reproduction equalizer input terminal
35	VCT	O	Middle point terminal
36	PBREF	O	Reproduction equalizer standard terminal
37	PBFIN1	I	Reproduction equalizer input terminal
38	PBGND	-	Reproduction equalizer system earth terminal
39	PBRIN1	I	Reproduction equalizer input terminal
40	PBFB1	I	Reproduction equalizer return terminal

■ HA13158A (IC941) : Power amp

1. Pin layout

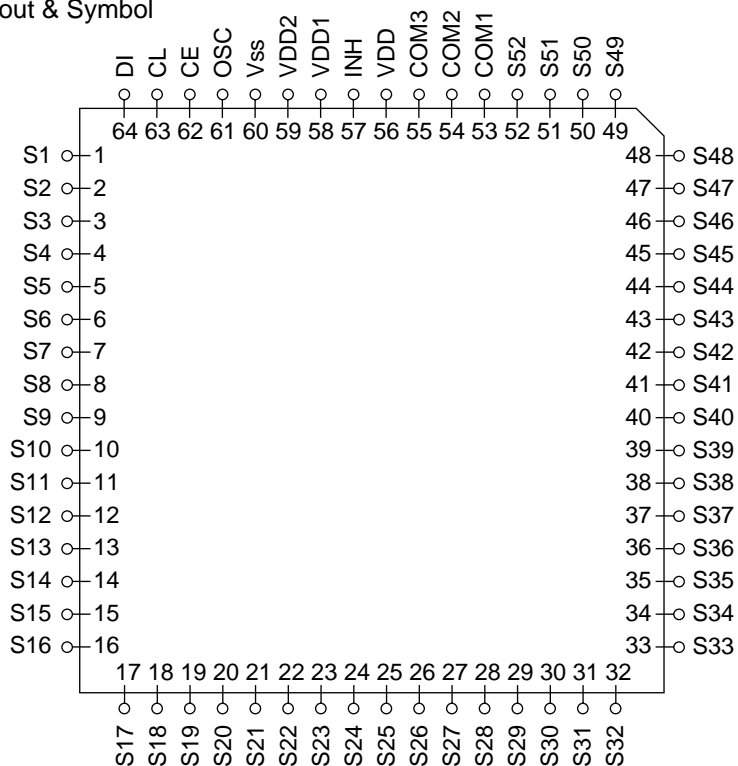


2. Block diagram



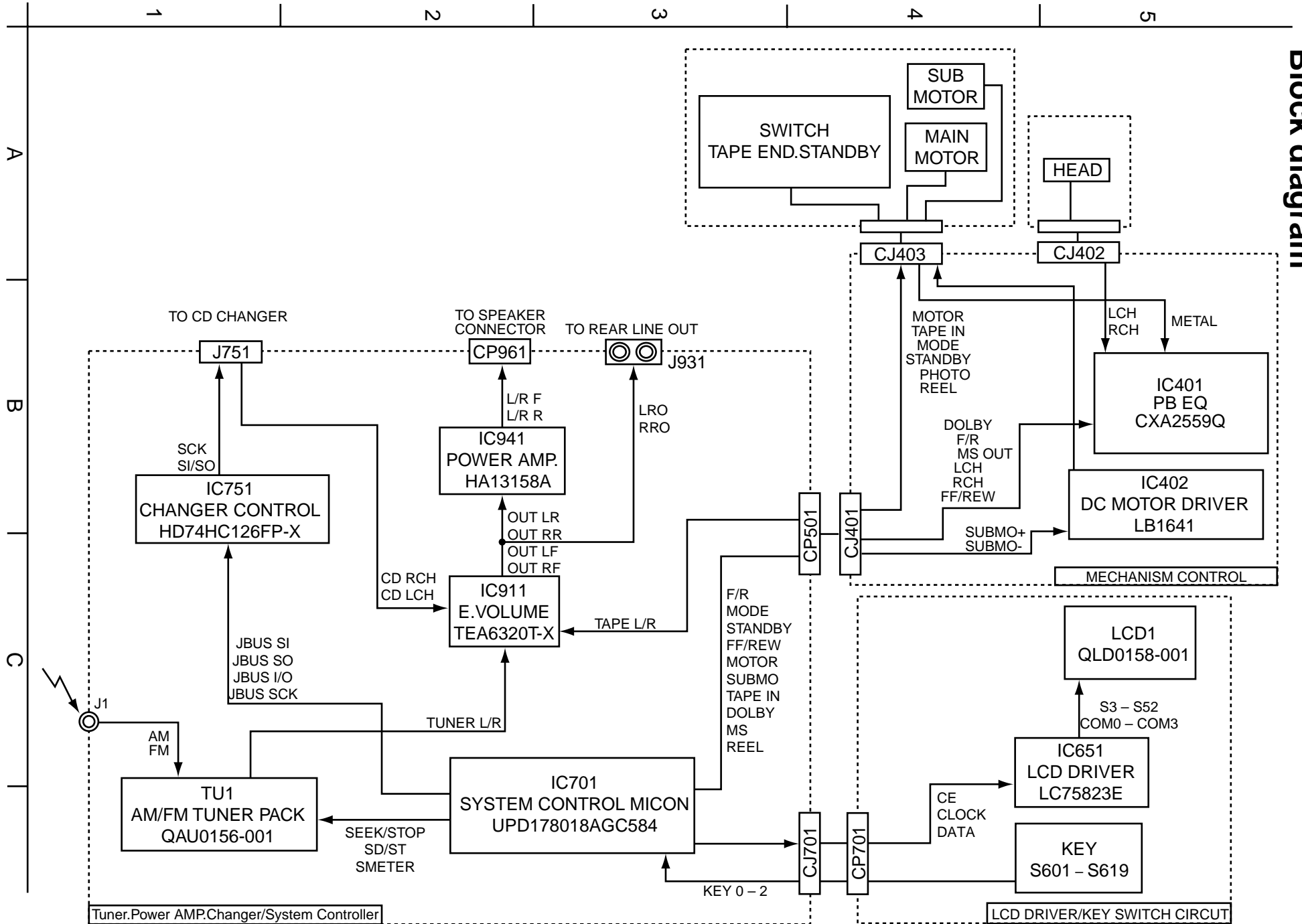
■LC75823E (IC651) : LCD Driver

1. Pin Layout & Symbol



2. Pin Function

Pin No.	Symbol	I/O	Function
1 to 52	S1 to S52	O	Segment output pins used to display data transferred by serial data input.
53 to 55	COM1 to COM3	O	Common driver output pins. The frame frequency is given by : $t_0=(f_{osc}/384)Hz$.
56	VDD	--	Power supply connection. Provide a voltage of between 4.5 and 6.0V.
57	\overline{INH}	I	Display turning off input pin. $\overline{INT}="L"$ (Vss) ----- off (S1 to S52, COM1 to COM3="L" $\overline{INT}="H"$ (VDD)----- on Serial data can be transferred in display off mode.
58	VDDD1	I	Used for applying the LCD drive 2/3 bias voltage externally. Must be connected to VDD2 when a 1/2 bias drive scheme is used.
59	VDD2	I	Used for applying the LCD drive 1/3 bias voltage externally. Must be connected to VDD1 when a 1/2 bias drive scheme is used.
60	Vss	--	Power supply connection. Connect to GND.
61	OSC	I/O	Oscillator connection. An oscillator circuit is formed by connecting an external resistor and capacitor at this pin.
62	CE		Serial data interface connection CE : Chip enable
63	CL	I	CL : Sync clock
64	DI		DI : Transfer data



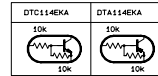
Standard schematic diagrams

Receiver & System control section

NOTES

- VOLTAGES ARE DC-MEASURED WITH A DIGITAL VOLT METER WITHOUT INPUT SIGNAL CONDITION—FM MODE. AM MODE
- UNLESS OTHERWISE SPECIFIED, ALL RESISTORS ARE 1/10W OR 1/4W ±5% METAL GLAZE RESISTOR. ALL CAPACITORS ARE 50V OR 25V CERAMIC CAPACITOR. ALL RESISTANCE VALUES ARE IN OHM. ALL CAPACITANCE VALUES ARE IN μF (μ=PF) ALL E-CAPACITORS ARE SHOWN IN THE FORM OF CAPACITANCE(μF)/RATED VOLTAGE (V)

TF --- T. F. CAPACITOR
N --- N. F. CAPACITOR



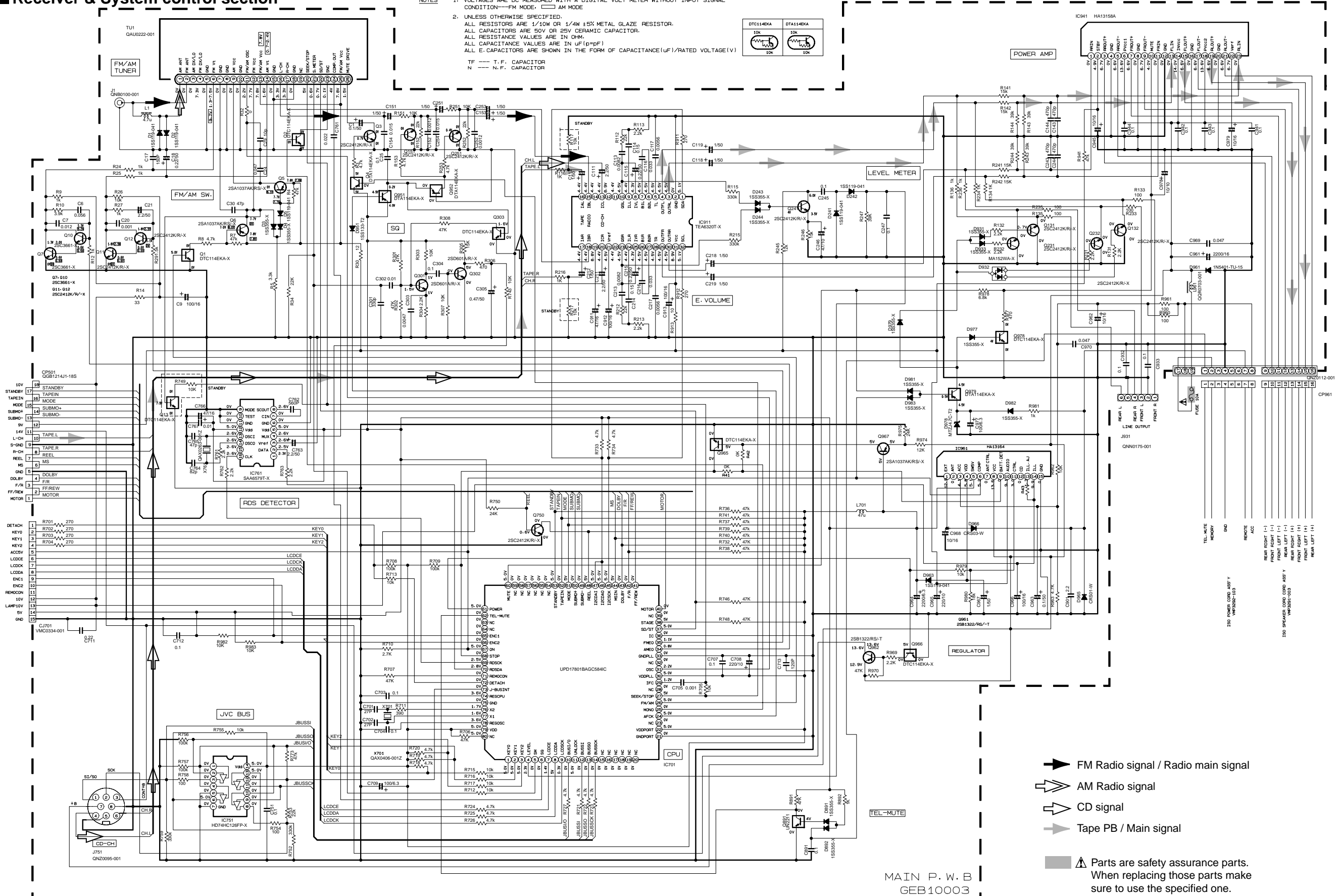
5

4

3

2

1



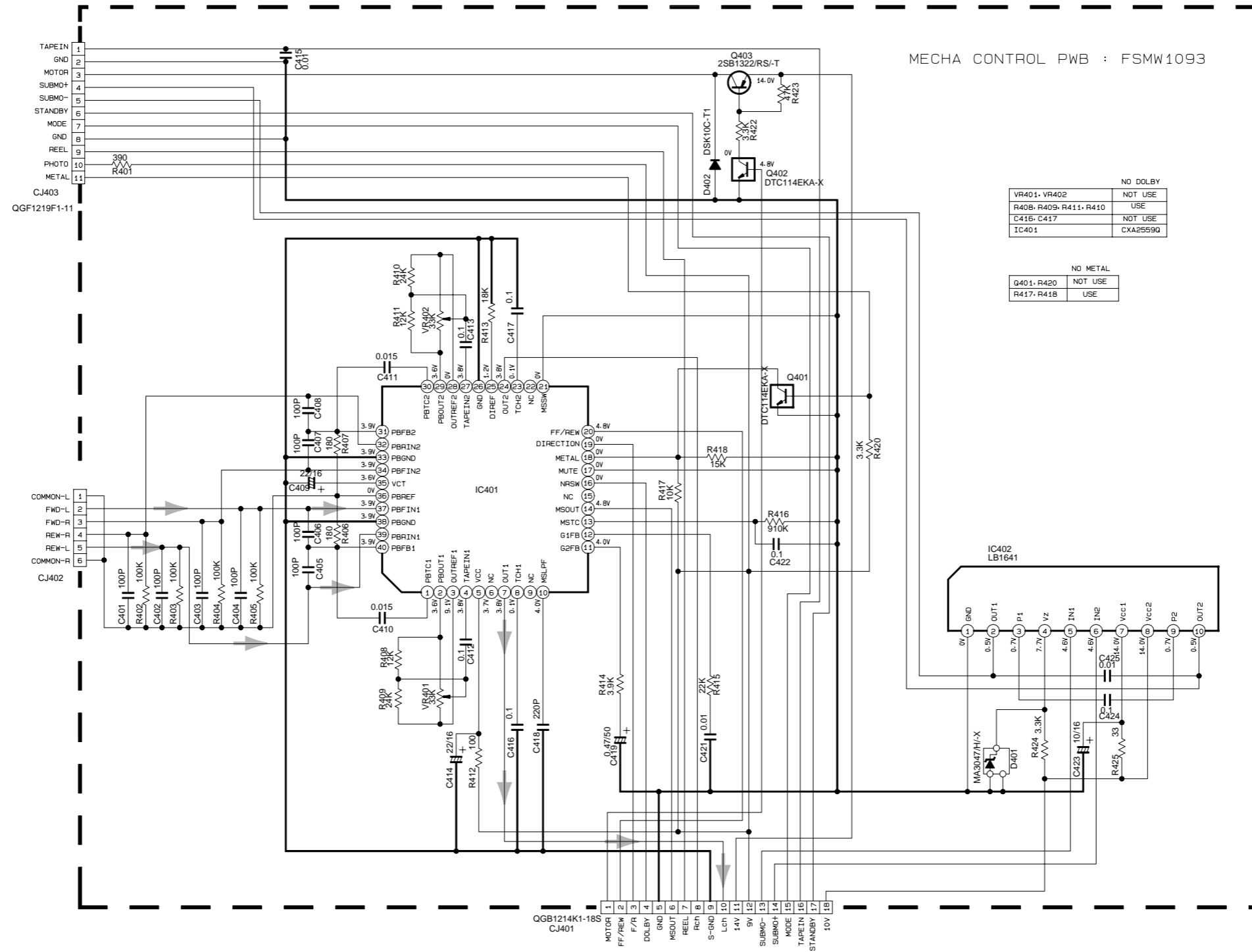
- FM Radio signal / Radio main signal
- AM Radio signal
- CD signal
- Tape PB / Main signal

Parts are safety assurance parts. When replacing those parts make sure to use the specified one.

MAIN P. W. B
GEB10003

Note:KS-FX722R series. FSDH3170-005BW 1/3
/tr/sjes/3170ma.001

■ Mecha control circuit section



MECHA CONTROL PWB : FSMW1093

NO DOLBY	
VR401, VR402	NOT USE
R408, R409, R411, R410	USE
C416, C417	NOT USE
IC401	CXA2559G

NO METAL	
G401, R420	NOT USE
R417, R418	USE

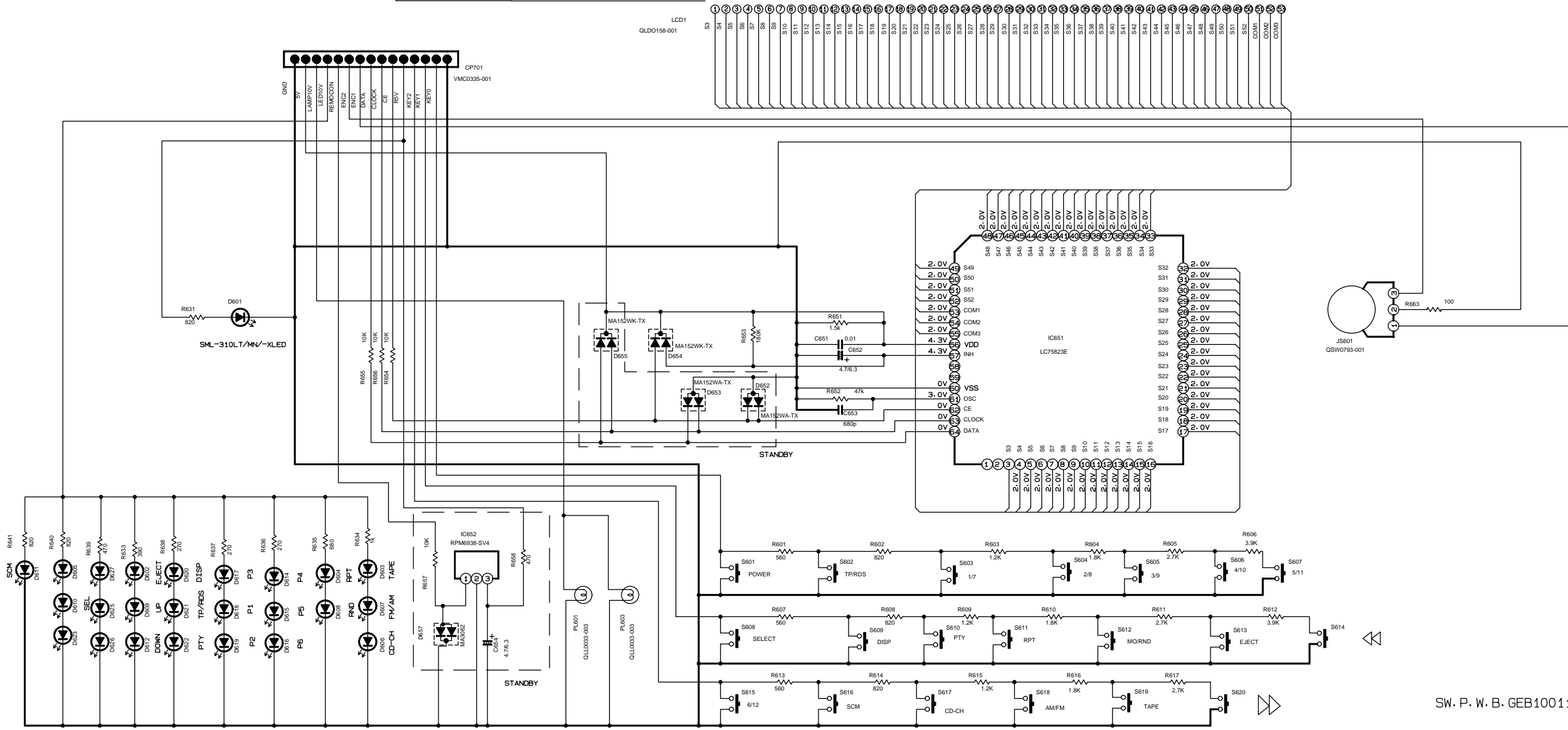
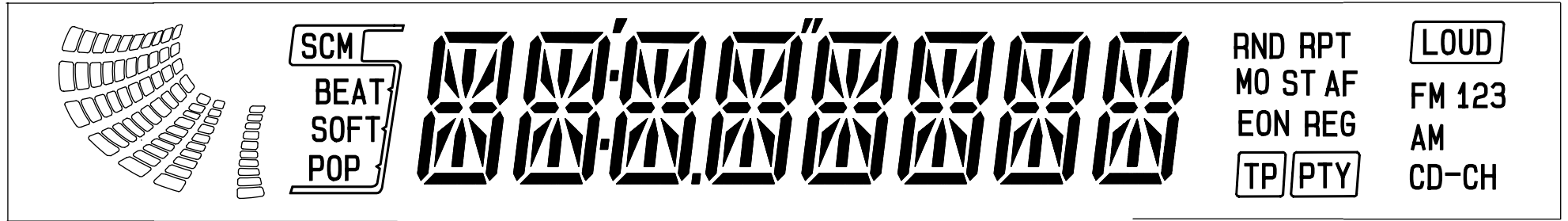
➔ Tape PB / Main signal

Note:KS-FX722R series FSDH3170-005MW 3/3
/te/s/jes/3170me.001

■ LCD driver & Operation switch section

- NOTES**
1. VOLTAGES ARE DC-MEASURED WITH A DIGITAL VOLT METER WITHOUT INPUT SIGNAL. CONDITION - - FM MODE
 2. UNLESS OTHERWISE SPECIFIED, ALL RESISTORS ARE 1/4W 5% CARBON RESISTOR OR 1/4W 1/10W 5% METAL GLAZE RESISTOR. ALL CAPACITORS ARE 50V CERAMIC CAPACITOR. ALL RESISTANCE VALUES ARE IN OHM(Ω). ALL CAPACITANCE VALUES ARE IN μF(μF). ALL E-CAPACITORS ARE SHOWN IN THE FORM OF CAPACITANCE(μF) / RATED VOLTAGE(V).

5
4
3
2
1



D602-D627 SML-310VT/JK/-XLED EXCEPT: D611 LNJ308681/1-3/X

MODEL NAME	SWITCH BOARD
KS-FX722R SERIES	KS-SWPCB-2

SW.P.W.B. GEB10011

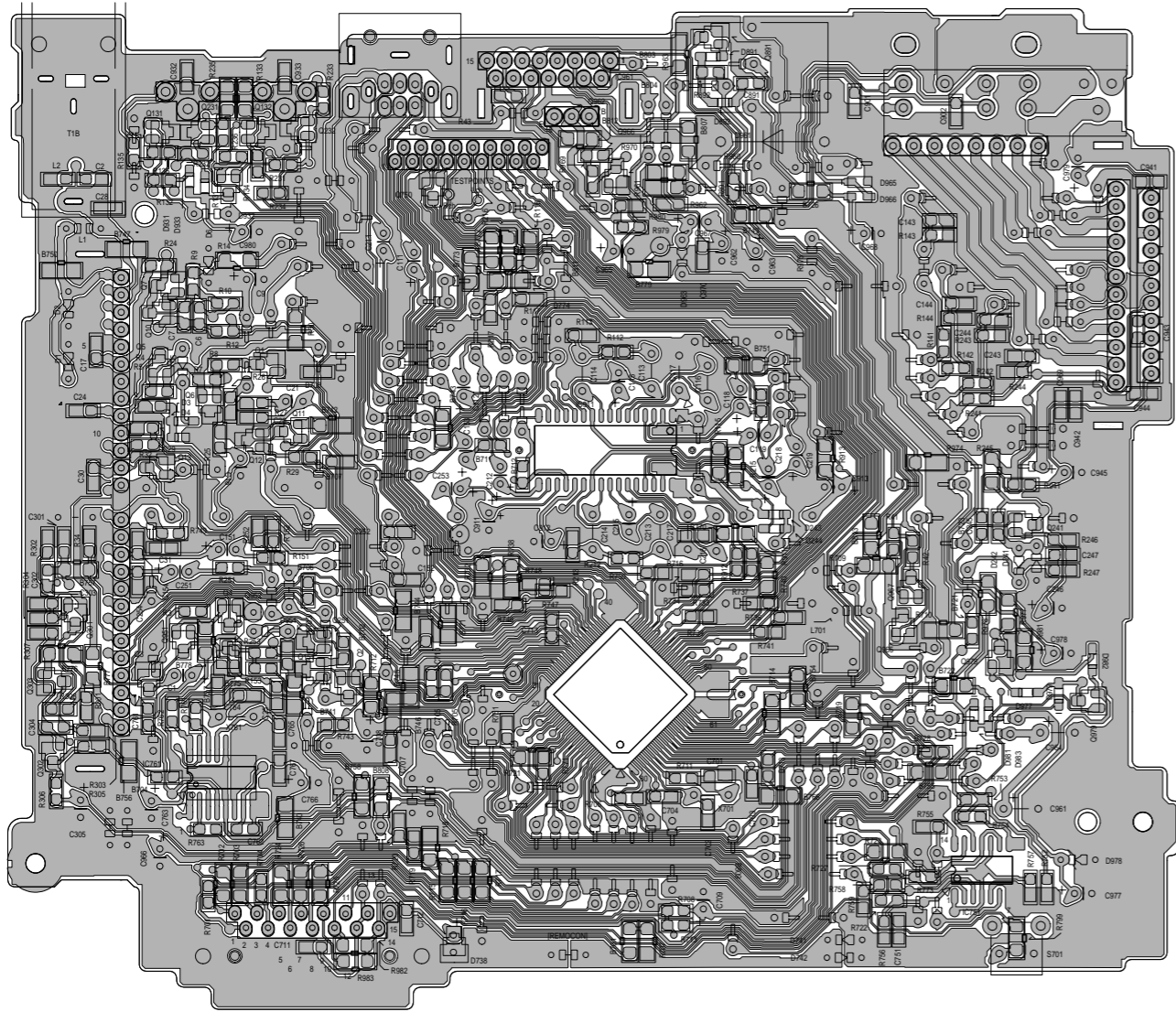
Note:KS-FX722R series FSDH3170-005SW 2/3 /tr/s/es/3170sw.001

Printed circuit boards

■ Main board

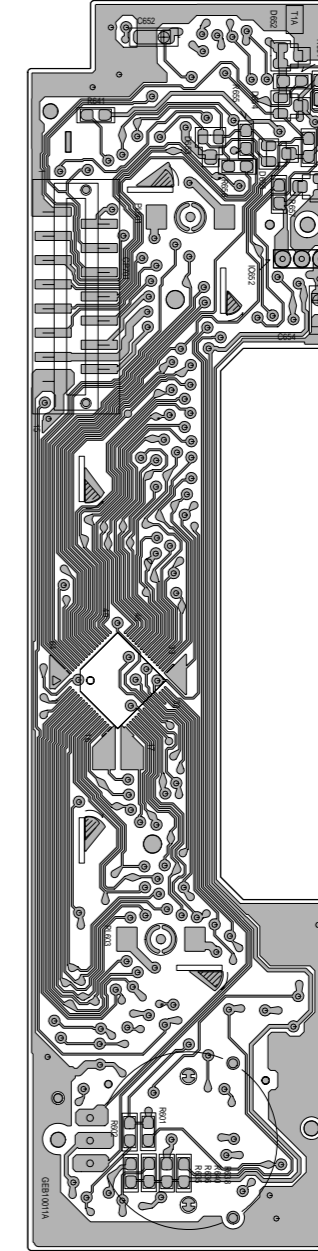
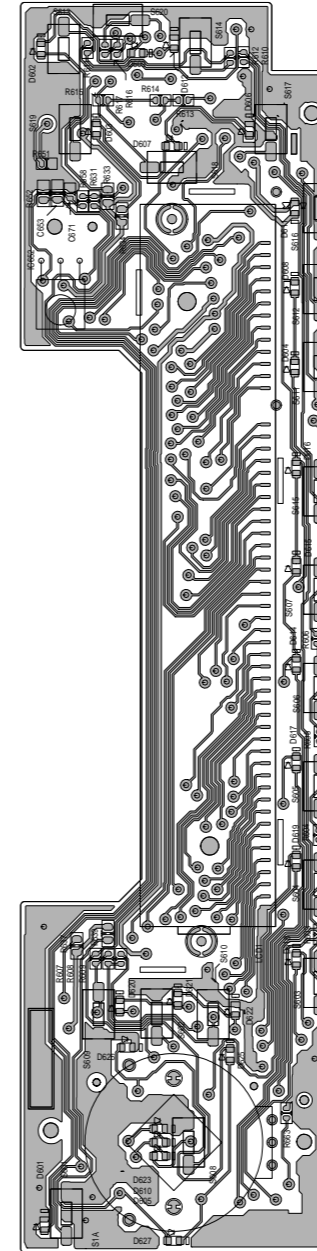
■ Switch board

5
4
3
2
1



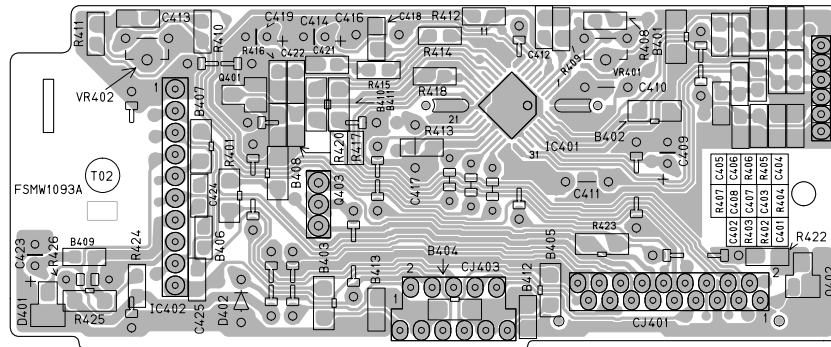
(Foward side)

(Reverse side)

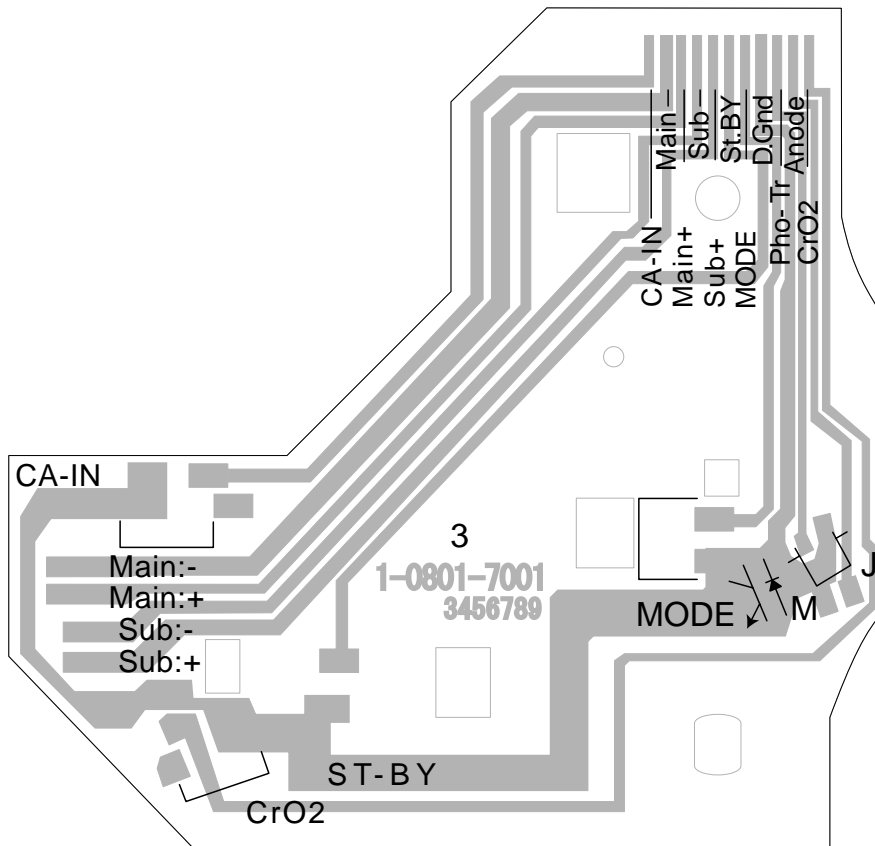


A | B | C | 2-6 | D | E | F | G | H

■ Meca control board



■ Reel board



5

4

3

2

1

A

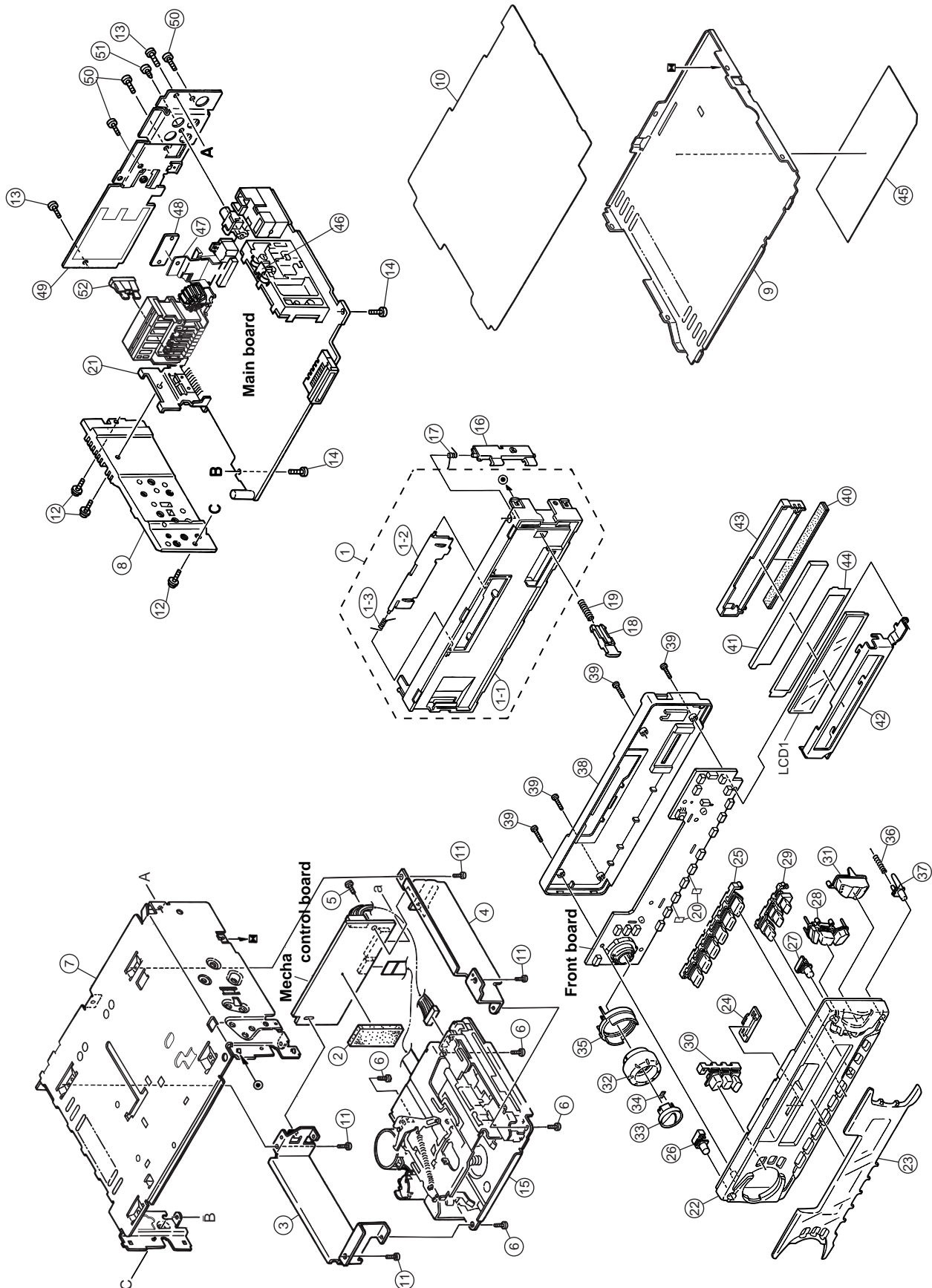
B

C

2-7

Exploded view of general assembly and parts list

Block No. M 1 M M



Parts list (General assembly)

Block No. M1MM

△	Item	Parts number	Parts name	Q'ty	Description	Area
	1	ZCKSFX250J-FB	FRONT ASS'Y	1		
	1-1	FSJC1052-002	FRONT CHASSIS	1		
	1-2	FSJC3014-003	CASSETTE LID	1	CH-CONTROL	
	1-3	VKW4947-002	DOOR SPRING	1		
	2	FSYH4036-050	SHEET	1		
	3	FSKL2001-002	MECHA BRACKET(L)	1	LEFT BRACKET	
	4	FSKL2002-001	MECHA BRACKET(R)	1	RIGHT BRACKET	
	5	QYSDST2606Z	SCREW	1	PCB+MECHA	
	6	QYSDST2606Z	SCREW	4	MECHA+M.BRACKET	
	7	FSJC1056-002	TOP CHASSIS	1		
	8	FSMH3001-002	SIDE PANEL	1		
	9	FSKM3011-002	BOTTOM COVER	1		
	10	FSMA3004-003	INSULATOR	1		
	11	QYSDST2604Z	SCREW	4	CHASSIS+MECHA BKT	
	12	FSKZ4005-001	SCREW	3		
	13	QYSDST2604Z	SCREW	2	CHASSIS+REAR BKT	
	14	QYSDST2606Z	SCREW	2	CHASSIS+MAIN PWB	
	15	-----	CASSETTE MECHA	1	CDS-801	
	16	FSKS3010-001	LOCK LEVER	1		
	17	FSKW4005-003	TORSION SPRING	1		
	18	FSXP3026-002	RLS KNOB	1		
	19	FSKW3002-004	COMP.SPRING	1		
	20	FSYH4036-069	SHEET	2	PRESET BUTTON	
	21	FSKL4018-00B	IC BRACKET	1		
	22	GE10001-001A	FRONT PANLL	1		
	23	GE30101-005A	FINDER ASSY	1		
	24	FSJK3014-001	LIGHT LENS	1		
	25	GE20104-001B	PRESET BUTTON	1	1-6	
	26	GE30105-002A	POWER BUTTON	1		
	27	GE30109-002A	EJECT BUTTON	1		
	28	GE20110-001C	D.FUNC BUTTON	1	TAPE/TUNER/CD-CH	
	29	GE30106-001A	SND FUNC BUTTON	1		
	30	GE20103-001A	PUSH BUTTON(3)	1		
	31	GE20109-001C	UP/DOWN BUTTON	1		
	32	GE30103-001B	KNOB	1	JOG DIAL	
	33	GE30102-002A	SEL BUTTON	1		
	34	FSYH4036-032	SHEET	1	FOR SEL BUTTON	
	35	GE30104-001A	RIM LENS	1		
	36	FSXP3055-001	DETACH BUTTON	1		
	37	FSKW3002-012	COMP. SPRING	1	FOR DETACH BUTTON	
	38	GE10002-001A	REAR COVER	1		
	39	VKZ4777-001	MINI SCREW	4	F.PANEL+REAR COVER	
	40	QNZ0440-001	RUBBER CONNECTOR	1		
	41	FSJK3033-001	LCD LENS	1		
	42	GE30110-001A	LCD CASE	1		
	43	FSKS3020-002	LENS CASE	1		
	44	FSYH4075-002	SHEET	1		
	45	GE30140-002A	NAME PLATE	1		

■ Parts list (General assembly)

Block No. M1MM

⚠	Item	Parts number	Parts name	Q'ty	Description	Area
	46	VMA4652-001SS	EARTH PLATE	1		
	47	GE40103-001A	REG BRACKET	1		
	48	GE40104-002B	HEAT SINK	1		
	49	FSKM3012-011	REAR BRACKET	1	WITH 10A LABEL	
	50	QYSDST2606Z	SCREW	3		
	51	QYSDSF3006Z	SCREW	1	PIN	
⚠	52	QMFZ047-100-T	FUSE	1		
	LCD 1	QLD0158-001	LCD	1		

■ Electrical parts list (Main board)

Block No. 01

△	Item	Parts number	Parts name	Remarks	Area	△	Item	Parts number	Parts name	Remarks	Area
	C 1	QERF1HM-104Z	E CAPACITOR	0.1MF 20% 50V			C 761	NCB31EK-223X	C CAPACITOR		
	C 6	NCB31EK-563X	C CAPACITOR				C 762	NCS31HJ-561X	C CAPACITOR		
	C 7	NCB31EK-123X	C CAPACITOR				C 763	QERF1HM-225Z	E CAPACITOR	2.2MF 20% 50V	
	C 9	QERF1CM-107Z	E CAPACITOR	100MF 20% 16V			C 764	NDC31HJ-820X	C CAPACITOR		
	C 17	NCS31HJ-151X	C CAPACITOR				C 765	NDC31HJ-470X	C CAPACITOR		
	C 18	QERF1HM-224Z	E CAPACITOR	0.22MF 20% 50V			C 766	QERF1CM-476Z	E CAPACITOR	47MF 20% 16V	
	C 20	NCS31EJ-102X	C CAPACITOR				C 767	NCB31HK-103X	C CAPACITOR		
	C 21	QEZF1HM-225Z	E CAPACITOR	2.2MF 20% 50V			C 891	NCB31EK-104X	C CAPACITOR		
	C 24	NCB31EK-473X	C CAPACITOR				C 901	NCB11CK-225X	C CAPACITOR		
	C 25	NCB31EK-104X	C CAPACITOR				C 911	QERF1CM-476Z	E CAPACITOR	47MF 20% 16V	
	C 29	NDC31HJ-100X	C CAPACITOR				C 912	QERF1CM-107Z	E CAPACITOR	100MF 20% 16V	
	C 30	NDC31HJ-470X	C CAPACITOR				C 913	QERF1CM-107Z	E CAPACITOR	100MF 20% 16V	
	C 31	NCS31HJ-101X	C CAPACITOR				C 932	NCB31EK-104X	C CAPACITOR		
	C 111	QERF1HM-225Z	E CAPACITOR	2.2MF 20% 50V			C 933	NCB31EK-104X	C CAPACITOR		
	C 112	QERF1HM-105Z	E CAPACITOR	1.0MF 20% 50V			C 941	NCB31EK-104X	C CAPACITOR		
	C 113	QFLA1HJ-822Z	M CAPACITOR	8200PF 5% 50V			C 942	NCB31EK-104X	C CAPACITOR		
	C 114	QFV61HJ-154Z	MF CAPACITOR	0.15MF 5% 50V			C 943	NCB31EK-104X	C CAPACITOR		
	C 115	QERF1HM-224Z	E CAPACITOR	0.22MF 20% 50V			C 944	NCB31EK-104X	C CAPACITOR		
	C 116	QFV61HJ-333Z	MF CAPACITOR	0.033MF 5% 50V			C 945	QERF1CM-106Z	E CAPACITOR	10MF 20% 16V	
	C 117	QFLA1HJ-562Z	M CAPACITOR	5600PF 5% 50V			C 961	QETB1CM-228	E CAPACITOR	2200MF 20% 16V	
	C 118	QERF1HM-105Z	E CAPACITOR	1.0MF 20% 50V			C 962	QERF1CM-106Z	E CAPACITOR	10MF 20% 16V	
	C 119	QERF1HM-105Z	E CAPACITOR	1.0MF 20% 50V			C 963	QERF1HM-104Z	E CAPACITOR	0.1MF 20% 50V	
	C 143	NCS31HJ-471X	C CAPACITOR				C 964	QETN0JM-228Z	E CAPACITOR	2200MF 20% 6.3V	
	C 144	NCS31HJ-471X	C CAPACITOR				C 965	QERF1AM-227Z	E CAPACITOR	220MF 20% 10V	
	C 151	QERF1HM-105Z	E CAPACITOR	1.0MF 20% 50V			C 966	QERF1CM-107Z	E CAPACITOR	100MF 20% 16V	
	C 152	NCB31HK-122X	C CAPACITOR				C 967	QERF1HM-105Z	E CAPACITOR	1.0MF 20% 50V	
	C 153	QERF1HM-105Z	E CAPACITOR	1.0MF 20% 50V			C 968	QERF1CM-106Z	E CAPACITOR	10MF 20% 16V	
	C 154	NCB31HK-153X	C CAPACITOR				C 969	NCB31EK-473X	C CAPACITOR		
	C 211	QERF1HM-225Z	E CAPACITOR	2.2MF 20% 50V			C 970	NCB31EK-473X	C CAPACITOR		
	C 212	QERF1HM-105Z	E CAPACITOR	1.0MF 20% 50V			C 977	QERF0JM-107Z	E CAPACITOR	100MF 20% 6.3V	
	C 213	QFLA1HJ-822Z	M CAPACITOR	8200PF 5% 50V			C 978	QERF1AM-106Z	E CAPACITOR	10MF 20% 10V	
	C 214	QFV61HJ-154Z	MF CAPACITOR	0.15MF 5% 50V			C 979	QERF1CM-106Z	E CAPACITOR	10MF 20% 16V	
	C 215	QERF1HM-224Z	E CAPACITOR	0.22MF 20% 50V			CJ701	VMC0334-001	CONNECTOR		
	C 216	QFV61HJ-333Z	MF CAPACITOR	0.033MF 5% 50V			CP501	QGB1214J1-18S	CONNECTOR		
	C 217	QFLA1HJ-562Z	M CAPACITOR	5600PF 5% 50V			CP961	QNZ0112-001	CAR CONNECTOR		
	C 218	QERF1HM-105Z	E CAPACITOR	1.0MF 20% 50V			D 1	1SS119-041	SI DIODE		
	C 219	QERF1HM-105Z	E CAPACITOR	1.0MF 20% 50V			D 2	1SS119-041	SI DIODE		
	C 243	NCS31HJ-471X	C CAPACITOR				D 3	1SS355-X	DIODE		
	C 244	NCS31HJ-471X	C CAPACITOR				D 4	1SS355-X	DIODE		
	C 245	NCB31EK-104X	C CAPACITOR				D 5	1SS119-041	SI DIODE		
	C 246	QERF1AM-476Z	E CAPACITOR	47MF 20% 10V			D 241	1SS119-041	SI DIODE		
	C 247	NCB31EK-104X	C CAPACITOR				D 242	1SS119-041	SI DIODE		
	C 251	QERF1HM-105Z	E CAPACITOR	1.0MF 20% 50V			D 243	1SS355-X	DIODE		
	C 252	NCB31HK-122X	C CAPACITOR				D 244	1SS355-X	DIODE		
	C 253	QERF1HM-105Z	E CAPACITOR	1.0MF 20% 50V			D 741	1SS119-041	SI DIODE		
	C 254	NCB31HK-153X	C CAPACITOR				D 742	1SS119-041	SI DIODE		
	C 301	NCB31HK-331X	C CAPACITOR				D 891	1SS355-X	DIODE		
	C 302	NCB31HK-103X	C CAPACITOR				D 892	1SS355-X	DIODE		
	C 303	NCB31EK-472X	C CAPACITOR				D 931	1SS355-X	DIODE		
	C 304	NCB31EK-104X	C CAPACITOR				D 932	MA152WA-X	DIODE		
	C 305	QERF1HM-474Z	E CAPACITOR	0.47MF 20% 50V			D 933	1SS355-X	DIODE		
	C 701	NDC31HJ-270X	C CAPACITOR				D 951	1SS133-T2	SI DIODE		
	C 702	NDC31HJ-270X	C CAPACITOR				D 961	1N5401-TU-15	DIODE		
	C 703	NCB31EK-104X	C CAPACITOR				D 963	1SS119-041	SI DIODE		
	C 704	NCB31EK-104X	C CAPACITOR				D 965	CRS03-W	SB DIODE		
	C 705	NCB31HK-102X	C CAPACITOR				D 966	CRS03-W	SB DIODE		
	C 707	NCB31EK-104X	C CAPACITOR				D 977	1SS355-X	DIODE		
	C 708	QERF1AM-227Z	E CAPACITOR	220MF 20% 10V			D 978	MTZJ4.7C-T2	ZENER DIODE		
	C 709	QERF0JM-107Z	E CAPACITOR	100MF 20% 6.3V			D 979	1SS355-X	DIODE		
	C 711	NCB31AK-224X	C CAPACITOR				D 981	1SS355-X	DIODE		
	C 712	NCB31EK-104X	C CAPACITOR				D 982	1SS355-X	DIODE		
	C 713	NCS31HJ-121X	C CAPACITOR				D 983	1SS355-X	DIODE		
	C 751	NCB31EK-104X	C CAPACITOR				IC701	UPD178018AGC584	IC		

■ Electrical parts list (Main board)

Block No. 01

△	Item	Parts number	Parts name	Remarks	Area	△	Item	Parts number	Parts name	Remarks	Area
	IC751	HD74HC126FP-X	IC				R 132	NRSA63J-222X	MG RESISTOR		
	IC761	SAA6579T-X	IC				R 133	NRS181J-101X	MG RESISTOR		
	IC911	TEA6320T-X	IC				R 134	NRSA02J-102X	MG RESISTOR		
	IC941	HA13158A	IC				R 135	NRSA63J-101X	MG RESISTOR		
	IC961	HA13164	IC				R 136	NRSA63J-102X	MG RESISTOR		
	J 1	QNB0100-001	CAR ANT JACK				R 141	NRSA63J-153X	MG RESISTOR		
	J 751	QNZ0095-001	CONNECTOR				R 142	NRSA63J-153X	MG RESISTOR		
	J 931	QNN0175-001	PIN JACK				R 143	NRSA63J-393X	MG RESISTOR		
	L 1	QQL231K-4R7Y	INDUCTOR				R 144	NRSA63J-393X	MG RESISTOR		
	L 701	QQL231K-470Y	INDUCTOR				R 151	NRSA63J-103X	MG RESISTOR		
	L 961	QQR0703-001	CHOKE COIL				R 152	NRSA63J-223X	MG RESISTOR		
	Q 1	DTC114EKA-X	TRANSISTOR				R 153	NRSA63J-472X	MG RESISTOR		
	Q 2	DTC114EKA-X	TRANSISTOR				R 212	NRSA63J-223X	MG RESISTOR		
	Q 3	2SC2412K/R/-X	TRANSISTOR				R 213	NRSA63J-222X	MG RESISTOR		
	Q 4	DTA114EKA-X	TRANSISTOR				R 215	NRS181J-334X	MG RESISTOR		
	Q 5	2SA1037AK/RS/-X	TRANSISTOR				R 216	NRS181J-102X	MG RESISTOR		
	Q 6	2SA1037AK/RS/-X	TRANSISTOR				R 231	NRSA02J-222X	MG RESISTOR		
	Q 7	2SC3661-X	TRANSISTOR				R 232	NRSA63J-222X	MG RESISTOR		
	Q 10	2SC3661-X	TRANSISTOR				R 233	NRSA02J-101X	MG RESISTOR		
	Q 11	2SC2412K/R/-X	TRANSISTOR				R 234	NRSA02J-102X	MG RESISTOR		
	Q 12	2SC2412K/R/-X	TRANSISTOR				R 235	NRS181J-101X	MG RESISTOR		
	Q 131	2SC2412K/R/-X	TRANSISTOR				R 236	NRSA63J-102X	MG RESISTOR		
	Q 132	2SC2412K/R/-X	TRANSISTOR				R 241	NRSA63J-153X	MG RESISTOR		
	Q 151	2SC2412K/R/-X	TRANSISTOR				R 242	NRSA63J-153X	MG RESISTOR		
	Q 231	2SC2412K/R/-X	TRANSISTOR				R 243	NRSA63J-393X	MG RESISTOR		
	Q 232	2SC2412K/R/-X	TRANSISTOR				R 244	NRSA63J-393X	MG RESISTOR		
	Q 241	2SC2412K/R/-X	TRANSISTOR				R 245	NRS181J-123X	MG RESISTOR		
	Q 251	2SC2412K/R/-X	TRANSISTOR				R 246	NRSA63J-153X	MG RESISTOR		
	Q 301	2SD601A/R/-X	TRANSISTOR				R 247	NRSA63J-393X	MG RESISTOR		
	Q 302	2SD601A/R/-X	TRANSISTOR				R 251	NRSA63J-103X	MG RESISTOR		
	Q 303	DTC114EKA-X	TRANSISTOR				R 252	NRSA63J-223X	MG RESISTOR		
	Q 750	2SC2412K/R/-X	TRANSISTOR				R 253	NRSA63J-472X	MG RESISTOR		
	Q 891	UN2211-X	TRANSISTOR				R 301	NRSA63J-473X	MG RESISTOR		
	Q 951	DTA114EKA-X	TRANSISTOR				R 302	NRSA63J-473X	MG RESISTOR		
	Q 952	DTA114EKA-X	TRANSISTOR				R 303	NRSA63J-103X	MG RESISTOR		
	Q 962	2SB1322/RS/-T	TRANSISTOR				R 304	NRSA63J-222X	MG RESISTOR		
	Q 965	DTC114EKA-X	TRANSISTOR				R 305	NRSA63J-153X	MG RESISTOR		
	Q 966	DTC114EKA-X	TRANSISTOR				R 306	NRSA63J-471X	MG RESISTOR		
	Q 967	2SA1037AK/RS/-X	TRANSISTOR				R 307	NRSA63J-103X	MG RESISTOR		
	Q 978	DTC114EKA-X	TRANSISTOR				R 308	NRSA63J-473X	MG RESISTOR		
	Q 979	DTA114EKA-X	TRANSISTOR				R 701	NRSA63J-271X	MG RESISTOR		
	R 3	NRSA63J-472X	MG RESISTOR				R 702	NRS181J-271X	MG RESISTOR		
	R 4	NRSA63J-473X	MG RESISTOR				R 703	NRS181J-271X	MG RESISTOR		
	R 5	NRSA63J-332X	MG RESISTOR				R 704	NRSA63J-271X	MG RESISTOR		
	R 7	NRSA63J-473X	MG RESISTOR				R 705	NRSA63J-103X	MG RESISTOR		
	R 8	NRSA63J-472X	MG RESISTOR				R 706	NRSA63J-473X	MG RESISTOR		
	R 9	NRSA63J-102X	MG RESISTOR				R 707	NRS181J-473X	MG RESISTOR		
	R 10	NRSA63J-392X	MG RESISTOR				R 708	NRSA63J-104X	MG RESISTOR		
	R 12	NRSA63J-102X	MG RESISTOR				R 709	NRS181J-104X	MG RESISTOR		
	R 14	NRS181J-330X	MG RESISTOR				R 710	NRS181J-272X	MG RESISTOR		
	R 24	NRSA63J-102X	MG RESISTOR				R 711	NRSA63J-391X	MG RESISTOR		
	R 25	NRSA63J-102X	MG RESISTOR				R 712	NRS181J-103X	MG RESISTOR		
	R 26	NRSA63J-103X	MG RESISTOR				R 713	NRSA63J-103X	MG RESISTOR		
	R 27	NRSA63J-102X	MG RESISTOR				R 715	NRS181J-103X	MG RESISTOR		
	R 29	NRSA63J-152X	MG RESISTOR				R 716	NRS181J-103X	MG RESISTOR		
	R 30	NRS181J-120X	MG RESISTOR				R 717	NRS181J-103X	MG RESISTOR		
	R 32	NRSA63J-0R0X	MG RESISTOR				R 718	NRS181J-472X	MG RESISTOR		
	R 34	NRSA63J-223X	MG RESISTOR				R 719	NRSA63J-472X	MG RESISTOR		
	R 112	NRSA63J-223X	MG RESISTOR				R 720	NRSA63J-472X	MG RESISTOR		
	R 113	NRSA63J-222X	MG RESISTOR				R 721	NRS181J-472X	MG RESISTOR		
	R 115	NRS181J-334X	MG RESISTOR				R 722	NRSA63J-472X	MG RESISTOR		
	R 116	NRS181J-102X	MG RESISTOR				R 723	NRS181J-472X	MG RESISTOR		
	R 131	NRSA02J-222X	MG RESISTOR				R 724	NRS181J-472X	MG RESISTOR		

■ Electrical parts list (Main board)

Block No. 01

△	Item	Parts number	Parts name	Remarks	Area
	R 725	NRS181J-472X	MG RESISTOR		
	R 726	NRS181J-472X	MG RESISTOR		
	R 727	NRSA63J-472X	MG RESISTOR		
	R 732	NRS181J-473X	MG RESISTOR		
	R 733	NRSA63J-472X	MG RESISTOR		
	R 734	NRSA63J-472X	MG RESISTOR		
	R 736	NRSA63J-473X	MG RESISTOR		
	R 737	NRSA63J-473X	MG RESISTOR		
	R 738	NRS181J-473X	MG RESISTOR		
	R 739	NRSA63J-473X	MG RESISTOR		
	R 740	NRS181J-473X	MG RESISTOR		
	R 741	NRSA63J-473X	MG RESISTOR		
	R 743	NRSA63J-103X	MG RESISTOR		
	R 746	NRSA63J-473X	MG RESISTOR		
	R 748	NRSA63J-473X	MG RESISTOR		
	R 750	NRSA63J-243X	MG RESISTOR		
	R 752	NRSA63J-334X	MG RESISTOR		
	R 753	NRSA63J-223X	MG RESISTOR		
	R 754	NRSA63J-101X	MG RESISTOR		
	R 755	NRSA63J-103X	MG RESISTOR		
	R 756	NRSA63J-104X	MG RESISTOR		
	R 757	NRSA63J-104X	MG RESISTOR		
	R 758	NRSA63J-101X	MG RESISTOR		
	R 759	NRSA63J-334X	MG RESISTOR		
	R 761	NRSA63J-222X	MG RESISTOR		
	R 762	NRSA63J-222X	MG RESISTOR		
	R 763	NRSA63J-222X	MG RESISTOR		
	R 773	NRSA63J-473X	MG RESISTOR		
	R 891	NRSA63J-473X	MG RESISTOR		
	R 892	NRSA63J-102X	MG RESISTOR		
	R 911	NRSA63J-271X	MG RESISTOR		
	R 912	NRSA63J-271X	MG RESISTOR		
	R 913	NRS181J-100X	MG RESISTOR		
	R 941	NRSA63J-473X	MG RESISTOR		
	R 960	NRS181J-101X	MG RESISTOR		
	R 961	NRS181J-101X	MG RESISTOR		
	R 962	NRSA63J-103X	MG RESISTOR		
	R 963	NRS181J-472X	MG RESISTOR		
	R 969	NRSA63J-222X	MG RESISTOR		
	R 970	NRSA63J-473X	MG RESISTOR		
	R 974	NRS181J-123X	MG RESISTOR		
	R 975	QRE141J-243Y	C RESISTOR	24K 5% 1/4W	
	R 977	NRS181J-471X	MG RESISTOR		
	R 978	NRS181J-682X	MG RESISTOR		
	R 979	NRSA63J-103X	MG RESISTOR		
	R 980	NRSA63J-183X	MG RESISTOR		
	R 981	NRS181J-102X	MG RESISTOR		
	R 982	NRS181J-103X	MG RESISTOR		
	R 983	NRS181J-103X	MG RESISTOR		
	TU 1	QAU0222-001	TUNER		
	X 701	QAX0406-001Z	CRYSTAL		
	X 761	QAX0263-001Z	CRYSTAL		

■ Electrical parts list (Mecha control board)

Block No. 02

△	Item	Parts number	Parts name	Remarks	Area
	C 401	NDC31HJ-101X	C CAPACITOR		
	C 402	NDC31HJ-101X	C CAPACITOR		
	C 403	NDC31HJ-101X	C CAPACITOR		
	C 404	NDC31HJ-101X	C CAPACITOR		
	C 405	NDC31HJ-101X	C CAPACITOR		
	C 406	NDC31HJ-101X	C CAPACITOR		
	C 407	NDC31HJ-101X	C CAPACITOR		
	C 408	NDC31HJ-101X	C CAPACITOR		
	C 409	QEKJ1CM-226Z	E CAPACITOR	22MF 20% 16V	
	C 410	QFV61HJ-153Z	MF CAPACITOR	0.015MF 5% 50V	
	C 411	QFV61HJ-153Z	MF CAPACITOR	0.015MF 5% 50V	
	C 412	NCB31EK-104X	C CAPACITOR		
	C 413	NCB31EK-104X	C CAPACITOR		
	C 414	QEKJ1CM-226Z	E CAPACITOR	22MF 20% 16V	
	C 415	NCB31EK-103X	C CAPACITOR		
	C 418	NDC31HJ-221X	C CAPACITOR		
	C 419	QEKJ1HM-474Z	E CAPACITOR	0.47MF 20% 50V	
	C 421	NCB31HK-103X	C CAPACITOR		
	C 422	NCB31EK-104X	C CAPACITOR		
	C 423	QERF1CM-106Z	E CAPACITOR	10MF 20% 16V	
	C 424	NCB31EK-104X	C CAPACITOR		
	C 425	NCB31HK-103X	C CAPACITOR		
	CN401	QGB1214K1-18S	CONNECTOR		
	CN402	VMP3501-001	WIRE CONNECTOR		
	CN403	QGF1219F1-10S	CONNECTOR		
	D 401	MA3047/H-X	ZENER DIODE		
	D 402	DSK10C-T1	DIODE		
	IC401	CXA2559Q	IC		
	IC402	LB1641	IC		
	Q 402	DTC114EKA-X	TRANSISTOR		
	Q 403	2SB1322/RS-T	TRANSISTOR		
	R 401	NRS181J-391X	MG RESISTOR		
	R 402	NRSA63J-104X	MG RESISTOR		
	R 403	NRSA63J-104X	MG RESISTOR		
	R 404	NRSA63J-104X	MG RESISTOR		
	R 405	NRSA63J-104X	MG RESISTOR		
	R 406	NRSA63J-181X	MG RESISTOR		
	R 407	NRSA63J-181X	MG RESISTOR		
	R 408	NRSA63J-123X	MG RESISTOR		
	R 409	NRSA63J-243X	MG RESISTOR		
	R 410	NRSA63J-243X	MG RESISTOR		
	R 411	NRSA63J-123X	MG RESISTOR		
	R 412	NRSA02J-101X	MG RESISTOR		
	R 413	NRSA63J-183X	MG RESISTOR		
	R 414	NRSA63J-392X	MG RESISTOR		
	R 415	NRSA63J-223X	MG RESISTOR		
	R 416	NRSA63J-914X	MG RESISTOR		
	R 417	NRSA63J-103X	MG RESISTOR		
	R 418	NRSA63J-153X	MG RESISTOR		
	R 422	NRSA02J-332X	MG RESISTOR		
	R 423	NRS181J-473X	MG RESISTOR		
	R 424	NRSA02J-332X	MG RESISTOR		
	R 425	NRS181J-330X	MG RESISTOR		

■ Electrical parts list (Front board)

Block No. 03

△	Item	Parts number	Parts name	Remarks	Area
	C 651	NCB31HK-103X	C CAPACITOR		
	C 652	NBE20JM-475X	TS E CAPACITOR		
	C 653	NCB21HK-681X	C CAPACITOR		
	CP701	VMC0335-001	CONNECTOR		
	D 601	SML-310LT/MN/-X	LED		
	D 602	SML-310VT/JK/-X	LED		
	D 603	SML-310VT/JK/-X	LED		
	D 604	SML-310VT/JK/-X	LED		
	D 605	SML-310VT/JK/-X	LED		
	D 606	SML-310VT/JK/-X	LED		
	D 607	SML-310VT/JK/-X	LED		
	D 608	SML-310VT/JK/-X	LED		
	D 609	SML-310VT/JK/-X	LED		
	D 610	SML-310VT/JK/-X	LED		
	D 611	LNJ308G81/1-3/X	LED		
	D 612	SML-310VT/JK/-X	LED		
	D 614	SML-310VT/JK/-X	LED		
	D 615	SML-310VT/JK/-X	LED		
	D 616	SML-310VT/JK/-X	LED		
	D 617	SML-310VT/JK/-X	LED		
	D 618	SML-310VT/JK/-X	LED		
	D 619	SML-310VT/JK/-X	LED		
	D 620	SML-310VT/JK/-X	LED		
	D 621	SML-310VT/JK/-X	LED		
	D 622	SML-310VT/JK/-X	LED		
	D 623	SML-310VT/JK/-X	LED		
	D 625	SML-310VT/JK/-X	LED		
	D 626	SML-310VT/JK/-X	LED		
	D 627	SML-310VT/JK/-X	LED		
	D 652	MA152WA-X	DIODE		
	D 653	MA152WA-X	DIODE		
	D 654	MA152WK-X	SI DIODE		
	D 655	MA152WK-X	SI DIODE		
	IC651	LC75823W	IC		
	JS601	QSW0793-001	ROTARY ENCODER		
	PL601	QLL0033-003	LAMP		
	PL603	QLL0033-003	LAMP		
	R 601	NRSA63J-561X	MG RESISTOR		
	R 602	NRSA63J-821X	MG RESISTOR		
	R 603	NRSA63J-122X	MG RESISTOR		
	R 604	NRSA63J-182X	MG RESISTOR		
	R 605	NRSA63J-272X	MG RESISTOR		
	R 606	NRSA63J-392X	MG RESISTOR		
	R 607	NRSA63J-561X	MG RESISTOR		
	R 608	NRSA63J-821X	MG RESISTOR		
	R 609	NRSA63J-122X	MG RESISTOR		
	R 610	NRSA63J-182X	MG RESISTOR		
	R 611	NRSA63J-272X	MG RESISTOR		
	R 612	NRSA63J-392X	MG RESISTOR		
	R 613	NRSA63J-561X	MG RESISTOR		
	R 614	NRSA63J-821X	MG RESISTOR		
	R 615	NRSA63J-122X	MG RESISTOR		
	R 616	NRSA63J-182X	MG RESISTOR		
	R 617	NRSA63J-272X	MG RESISTOR		
	R 631	NRSA63J-821X	MG RESISTOR		
	R 633	NRSA02J-391X	MG RESISTOR		
	R 634	NRSA02J-102X	MG RESISTOR		
	R 635	NRSA63J-681X	MG RESISTOR		
	R 636	NRSA63J-271X	MG RESISTOR		
	R 637	NRSA02J-271X	MG RESISTOR		
	R 638	NRSA63J-271X	MG RESISTOR		
	R 639	NRSA02J-471X	MG RESISTOR		
	R 640	NRSA63J-821X	MG RESISTOR		

△	Item	Parts number	Parts name	Remarks	Area
	R 641	NRSA02J-821X	MG RESISTOR		
	R 651	NRSA63J-152X	MG RESISTOR		
	R 652	NRSA02J-473X	MG RESISTOR		
	R 653	NRSA63J-184X	MG RESISTOR		
	R 654	NRSA63J-103X	MG RESISTOR		
	R 655	NRSA63J-103X	MG RESISTOR		
	R 656	NRSA63J-103X	MG RESISTOR		
	R 663	NRSA63J-101X	MG RESISTOR		
	S 601	NSW0066-001X	TACT SWITCH		
	S 602	NSW0066-001X	TACT SWITCH		
	S 603	NSW0066-001X	TACT SWITCH		
	S 604	NSW0066-001X	TACT SWITCH		
	S 605	NSW0066-001X	TACT SWITCH		
	S 606	NSW0066-001X	TACT SWITCH		
	S 607	NSW0066-001X	TACT SWITCH		
	S 608	NSW0066-001X	TACT SWITCH		
	S 609	NSW0066-001X	TACT SWITCH		
	S 610	NSW0066-001X	TACT SWITCH		
	S 611	NSW0066-001X	TACT SWITCH		
	S 612	NSW0066-001X	TACT SWITCH		
	S 613	NSW0066-001X	TACT SWITCH		
	S 614	NSW0066-001X	TACT SWITCH		
	S 615	NSW0066-001X	TACT SWITCH		
	S 616	NSW0066-001X	TACT SWITCH		
	S 617	NSW0066-001X	TACT SWITCH		
	S 618	NSW0066-001X	TACT SWITCH		
	S 619	NSW0066-001X	TACT SWITCH		
	S 620	NSW0066-001X	TACT SWITCH		

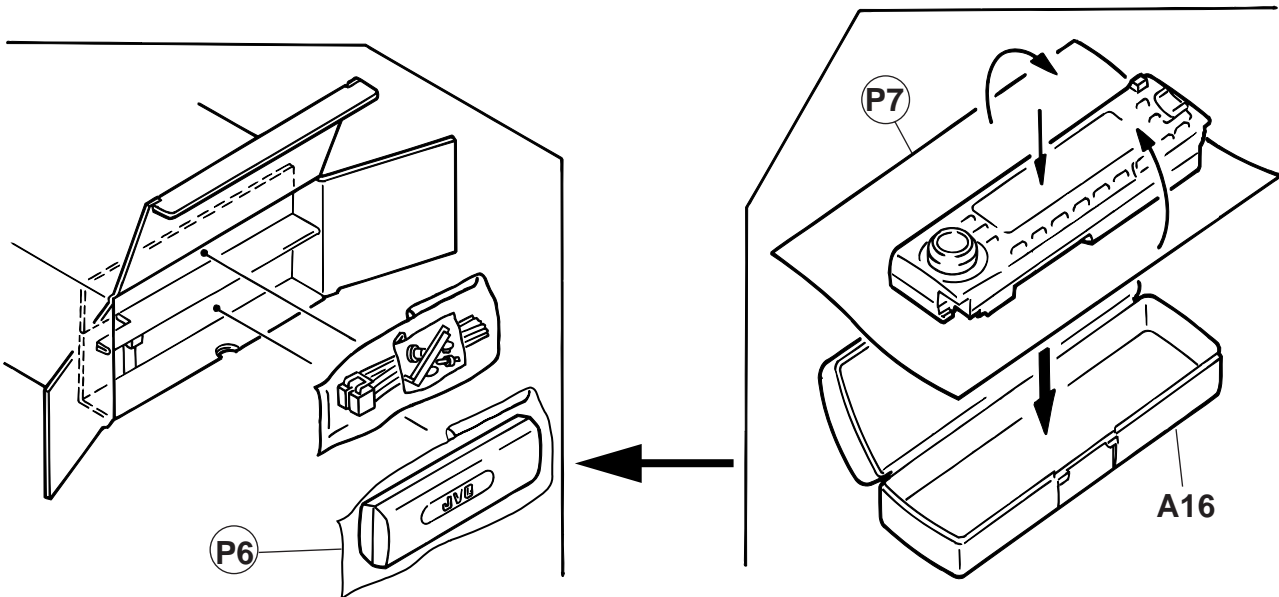
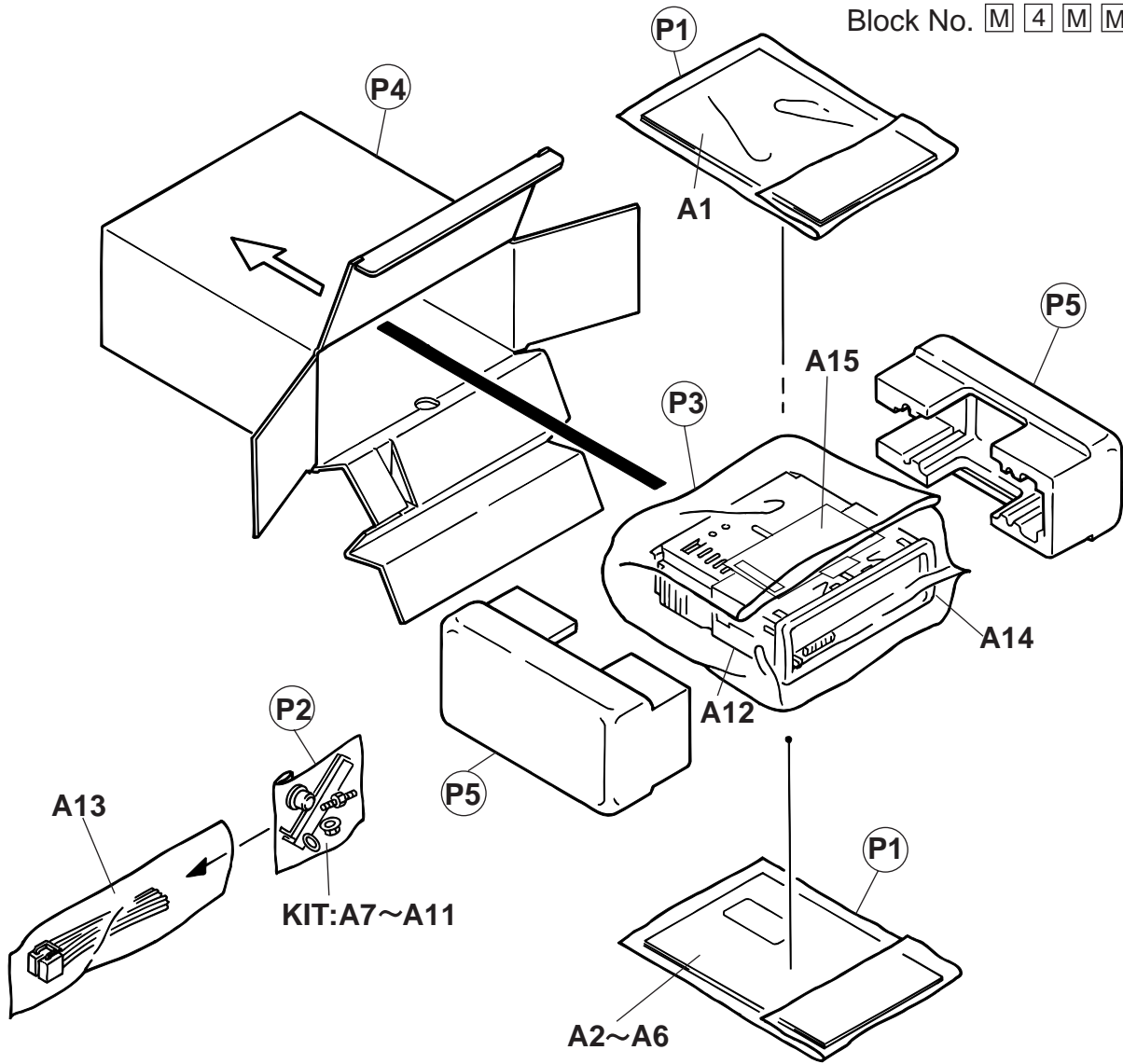
Packing materials and accessories parts list

Block No.

M	3	M	M
---	---	---	---

Block No.

M	4	M	M
---	---	---	---



Parts list (Packing)

Block No. M3MM

△	Item	Parts number	Parts name	Q'ty	Description	Area
	P 1	FSPG4002-001	POLY BAG	2	INSTRUCTIONS	
	P 2	QPA00801205	POLY BAG	1	KIT	
	P 3	QPC03004315P	POLY BAG	1	SET	
	P 4	GE30123-005A	CARTON	1		
	P 5	GE10007-001A	PAPER CUSHION	2	LEFT/RIGHT SIDE	
	P 6	QPA01003003	POLY BAG	1	HARD CASE	
	P 7	FSYH4036-068	SHEET	1		

Parts list (Accessories)

Block No. M4MM

△	Item	Parts number	Parts name	Q'ty	Description	Area
	A 1	GET0010-001A	INSTRUCTIONS	1	ENG,GER,FRE,DUT	
	A 2	GET0010-002A	INSTRUCTIONS	1	SPA,ITA,SWE,FIN	
	A 3	GET0010-003A	INSTALL MANUAL	1	ENG,GER,FRE	
		GET0010-004A	INSTALL MANUAL	1	DUT,SPA,ITA	
		GET0010-005A	INSTALL MANUAL	1	SWE,FIN	
	A 4	BT-54013-1	WARRANTY CARD	1		
	A 5	VND3046-001	SERIAL TICKET	1		
	A 6	VND3050-002	IDENTITY CARD	1		
	A 7	VKH4871-001SS	MOUNT BOLT	1		
	A 8	VKZ4328-001	LOCK NUT	1	FOR M5	
	A 9	WNS5000Z	WASHER	1		
	A 10	FSKL4010-002	HOOK	2		
	A 11	VKZ4027-202	PLUG NUT	1		
	A 12	FSKM2004-202	MOUNTING SLEEVE	1		
	A 13	QAM0175-001	POWER CORD	1		
	A 14	FSJD2034-001	TRIM PLATE	1		
	A 15	LV40978-001A	CAUTION SHEET	1		
	A 16	FSJB3001-30C	HARD CASE	1		
	KIT	KDGS717K-SCREW1	SCREW PARTS KIT	1	A7-A11	